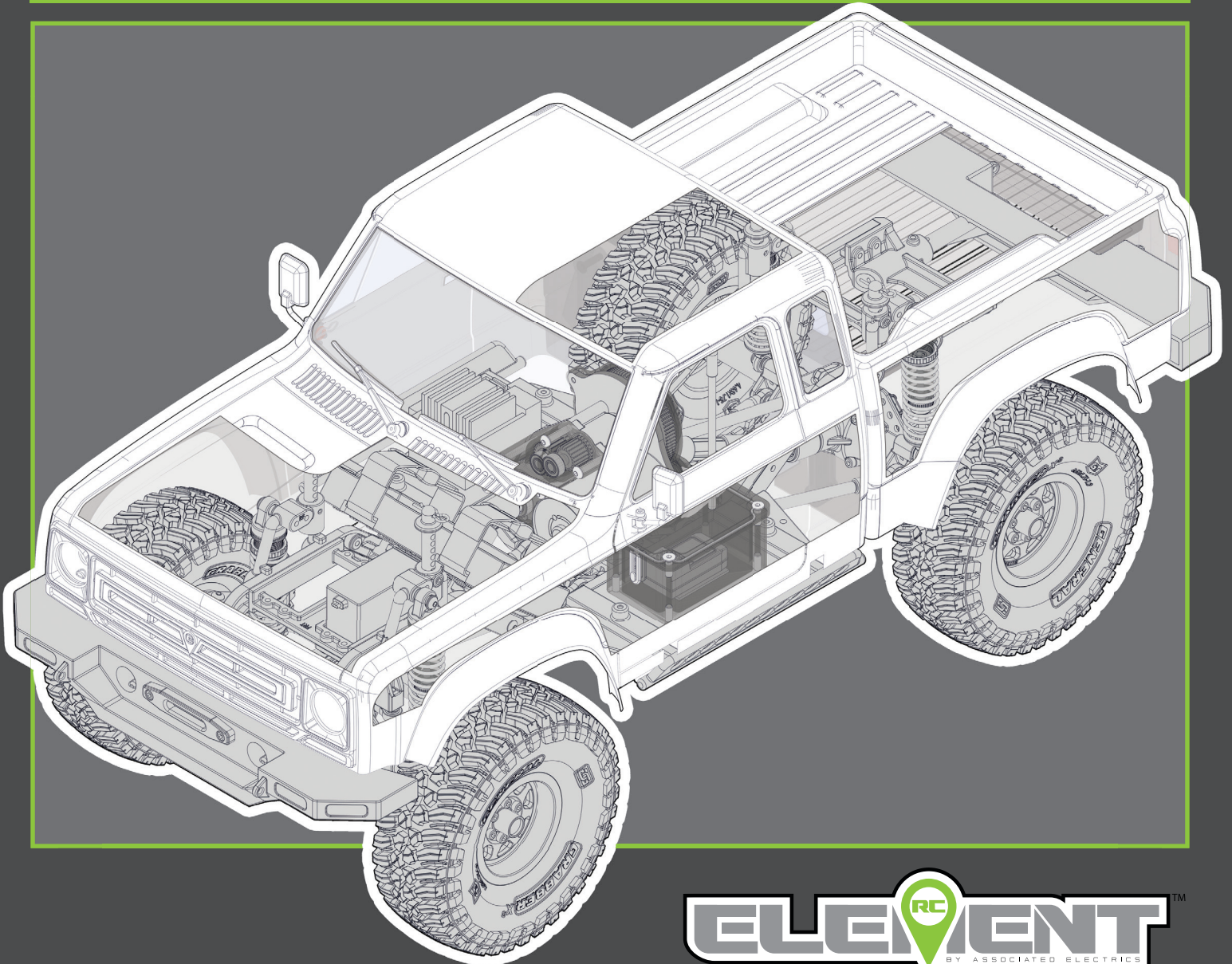


# ENDURO

SENDERO EXTRA CAB  
PICK-UP TRUCK BODY



## OWNERS BUILD MANUAL





**Associated Electrics, Inc.**  
**26021 Commercentre Dr.**  
**Lake Forest, CA 92630**

**Customer Service**  
**Tel: 949.544.7500**  
**Fax: 949.544.7501**

**Follow Us On Social Media**



ElementRC



@Element\_RC

**www.ElementRC.com**

AE is a Registered Trademark of Associated Electrics, Inc.

TEAM ASSOCIATED is a Registered Trademark of Associated Electrics, Inc.

REEDY is a Registered Trademark of Associated Electrics, Inc.

FACTORY TEAM is a Registered Trademark of Associated Electrics, Inc.

ELEMENT™ is a Trademark of Associated Electrics, Inc.

AREA 51 is a Registered Trademark of Associated Electrics, Inc.

STEALTH is a Registered Trademark of Associated Electrics, Inc.

GREEN SLIME is a Registered Trademark of Associated Electrics, Inc.

## ITEMS NEEDED

The following items are required to build or maintain your Enduro Trail Truck.

- 2mm Allen Wrench (#1501)
- 2.5mm Allen Wrench (#1503)
- Pliers
- Long Nose Pliers
- 5.5mm Nut Driver (#1507)
- 7mm Nut Driver (#1508)

## OTHER HELPFUL ITEMS

The following items aren't required, but will aid in the building and maintaining of your Enduro Trail Truck.

- Threadlock (#1596)
- Green Slime (#1105)

**Your journey begins here.**



## INTRODUCTION

Thank you for purchasing this Element RC product. This assembly manual contains instructions and tips for building and maintaining your new Enduro chassis. Please take a moment to read through this manual to help familiarize yourself with these steps. We are continually changing and improving our designs; therefore, actual parts may appear slightly different than in the illustrations. New parts will be noted on supplementary sheets located in the appropriate parts bags.

## ENDURO TRAIL TRUCK

**A performance rig built to endure.** When hitting the trail, you want to do it with confidence and the answer is the all new Enduro Trail Truck!

At the heart of the Enduro is our revolutionary Stealth® X gearbox. Although the exterior appears to have a conventional 3-gear transmission look; inside is far from conventional. The Stealth® X features the ability to adjust the rear drive ratio independently from the front drive in 3 levels. Stock provides a one to one drive ratio front to rear, option 1 overdrives the front end 5.7%, and option 2 overdrives the front end 11.83%.

Feeding the power to the tires are 3-piece telescopic driveshafts with extruded aluminum center section, universal front drive axles, and hardened steel ring and pinion gears. With the new drivetrain, delivering useful power will not be an issue.

We relocated the steering link assembly from the conventional location to behind the axle (BTA). This feature greatly improves approach angle and front end clearance; making rough terrain much easier to handle.

The Enduro Trail Truck comes ready for adventure right out of the box with performance driven Reedy Power electronics. The all new, ultra-smooth and powerful, 16-turn 5-slot brushed crawler motor and Reedy Power SC400X electronic speed controller with T-plug connector supply ample power to this tough rig. Controlling the beast on the trail is our new 3-channel XPI30 2.4GHz radio and Reedy Power high-torque 1320MG metal gear servo.

With all this packed in one box we know the Enduro Trail Truck, Sendero RTR is ready for the trail...Are you?

## FEATURES

- Stealth X Gearbox with adjustable overdrive gears
- BTA steering [Behind the Axle]
- CMS [Chassis Mounted Servo]
- Integrated servo winch mount
- Adjustable front track bar
- Universal front drive axles
- Stamped steel C-Channel frame rails
- Enclosed receiver box
- 12mm wheel hexes
- Adjustable front and rear bumper mounts
- Adjustable width rock sliders
- Two battery boxes (Shorty and regular size!)
- Threaded aluminum shock bodies
- Aluminum steering plates
- Aluminum motor plate
- Adjustable body posts
- Optimized rod ends for more fluid axle articulation
- Adjustable rear shock mount positions
- Telescopic driveshaft's front and rear
- Extruded aluminum driveshaft splines
- One-piece rear axle design
- Splined front axle with adjustable caster
- Machined input pinion gear
- Metal ring gear
- Machined steel top shaft
- Metal idler gears
- Heavy duty 5mm diameter steel links
- Precision metal ball bearings included
- Method Trail Series Beadlock Wheels
- Licensed 1.9"x4.65" General Grabber X3 tires

### ELECTRONICS:

- Water resistant 2S-3S LiPo compatible Reedy SC400X brushed electronic speed control with adjustable drag brake and T-plug battery connector
- Smooth and powerful Reedy Crawler 16T 5-slot brushed motor
- XPI30 2.4GHz radio system (3 Channel)
- Reedy high-torque 1320MG metal gear servo (13kg/180 oz.)

### SENDERO BODY FEATURES:

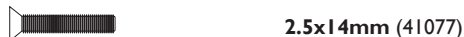
- Sendero body thermoformed in high-strength polycarbonate
- Two-piece cab and bed design
- Clear windows
- Molded grill
- Replaceable headlight lenses
- Pivoting side mirrors
- LED headlights
- Adjustable front and rear bumpers

**HARDWARE 1:1 SCALE VIEW**

HARDWARE USED WITH OPTIONAL REPLACEMENT PART NUMBERS

**FLAT HEAD SCREWS (FHCS)**

2.5x10mm (31350)



2.5x14mm (41077)

3x8mm (25201)  
Aluminum (8553)  
Titanium (91592)3x10mm (25202)  
Aluminum (8555)  
Titanium (91593)3x12mm (25203)  
Aluminum (8556)  
Titanium (91594)3x14mm (89208)  
Aluminum (8567)  
Titanium (91595)**BUTTON HEAD SCREWS (BHCS)**

2.6x10mm (41088)



3x5mm (31530)

3x6mm (31531)  
Titanium (91580)3x8mm (31532)  
Aluminum (8552)  
Titanium (91581)3x10mm (25211)  
Aluminum (8554)  
Titanium (91582)3x12mm (89202)  
Titanium (91583)3x14mm (25187)  
Titanium (91584)3x16mm (89203)  
Titanium (91585)

3x18mm (2308)

3x20mm (25188)  
Titanium (91587)

3x28mm (41078)

**SOCKET HEAD SCREWS (SHCS)**2x5mm (31511)  
Aluminum (8566)

2x8mm (7187)



2.5x6mm (41079)



2.5x10 (41087)



2.5x14 (71032)



2.5x16 (41086)

**SET SCREWS**

3x3mm (25225)



3x16mm (4689)

**PIVOT BALLS**

Pivot Ball, 6mm (42041)



Pivot Ball, Upper Shock (42041)

**LOCK NUTS**M3 Locknuts (25215)  
Aluminum (31550)

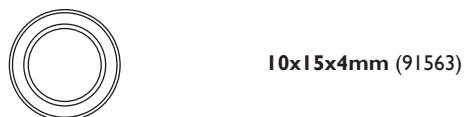
M4 Locknut W/Flange (25391)

**BEARINGS**

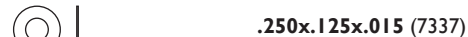
5x10x4mm (91560)



7x14x3.5mm (91474)



10x15x4mm (91563)

**SHIMS AND WASHERS**

.250x.125x.015 (7337)



Servo Horn Spacer (42041)



Drive Gear Shim (42027)

**MISC. SCREWS**

Shoulder Screw 3x4x10mm (42070)



Screw Pin (42022)

# TABLE OF CONTENTS

2/11/2019

<b>01</b>	COVER	<b>12</b>	DRIVESHAFTS BUILD (BAG 8)
<b>02</b>	INTRODUCTION	<b>13</b>	SHOCKS BUILD (BAG 9)
<b>03</b>	1:1 HARDWARE "FOLD OUT"	<b>14</b>	BUMPERS BUILD (BAG 10)
<b>04</b>	TABLE OF CONTENTS	<b>14</b>	WHEELS/TIRES BUILD
<b>05</b>	CHASSIS BUILD (BAG 1, 2)	<b>15</b>	BODY BUILD (BAG 11)
<b>06</b>	ELECTRONIC MOUNTS BUILD (BAG 3)	<b>16</b>	CATALOG
<b>07</b>	GEARBOX BUILD (BAG 4)	<b>24</b>	OPTIONAL GEARBOX BUILD
<b>08</b>	FRONT AXLES BUILD (BAG 5)	<b>25</b>	TRAIL TIPS
<b>09</b>	REAR AXLES BUILD (BAG 6)	<b>26</b>	BACK COVER
<b>09</b>	LINKS BUILD (BAG 7)		

## USING THIS MANUAL



This symbol indicates a special note or instruction in the manual.

**x2**

This symbol indicates the number of the same part that is required.



This symbol indicates the order within a step to assemble parts.



This symbol indicates a Trail Tip.



This symbol indicates where Black Grease should be applied.



This symbol indicates where Green Slime can be applied.



This symbol indicates where Thread Lock Adhesive should be applied.

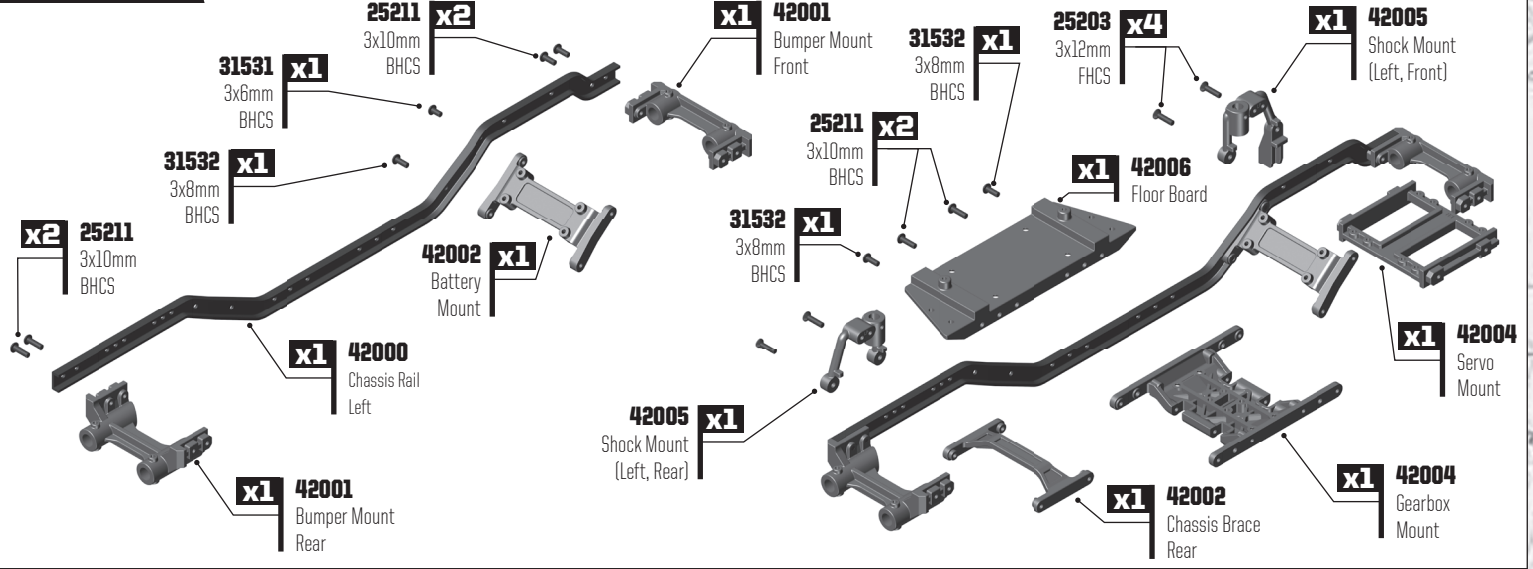


This symbol indicates where Shock Fluid should be applied.

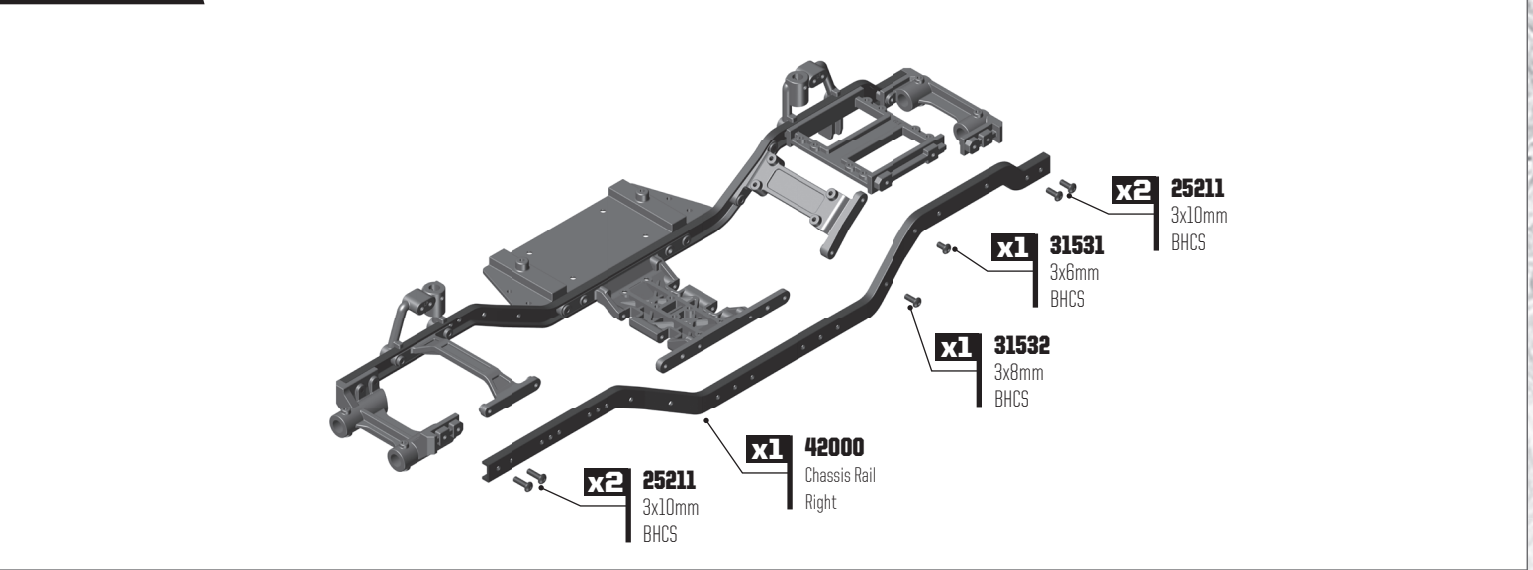


There is a 1:1 hardware foldout page in the front of the manual. To check the size of a part, line up your hardware with the correct drawing until you find the exact size. Each part in the foldout has a number assigned to it for ordering replacement parts.

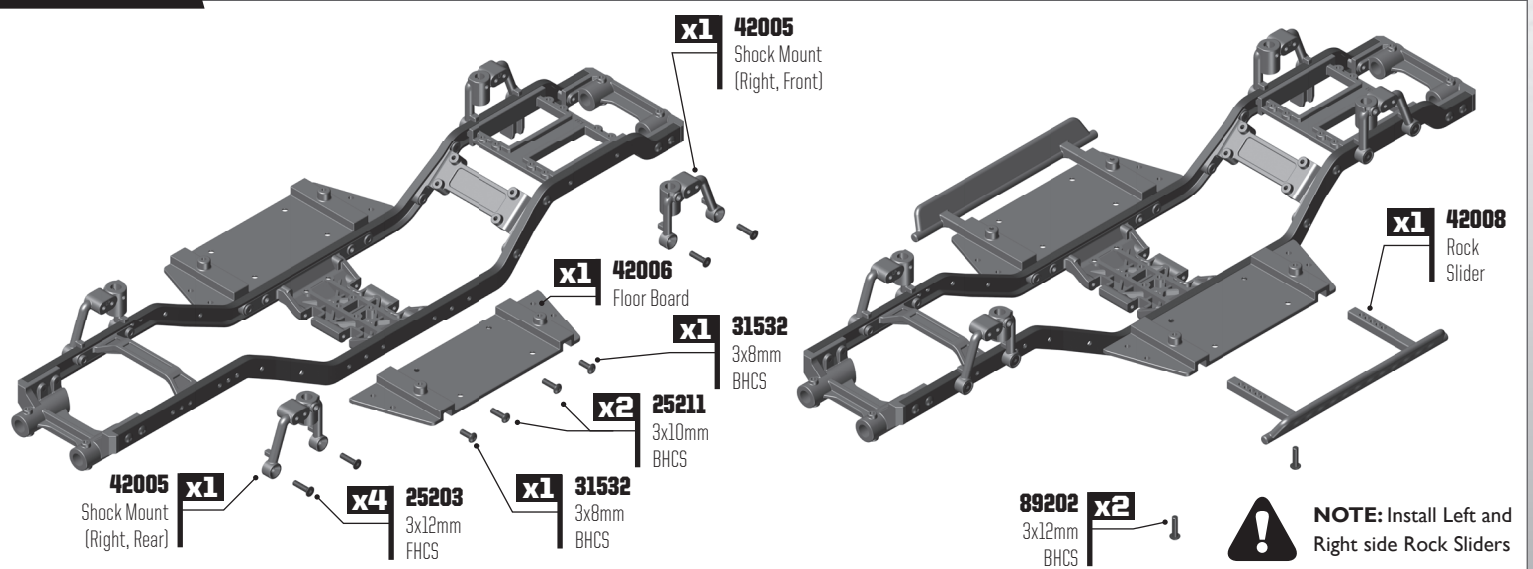
**GATE 01** CHASSIS BUILD: BAG 1, 2



**GATE 02** CHASSIS BUILD: BAG 1, 2



**GATE 03** CHASSIS BUILD: BAG 1, 2



## GATE 01 ELECTRONIC MOUNTS BUILD: BAG 3

**25203** **x4**  
3x12mm FHCS

**42003** **x1**  
Battery Box, Shorty Pack

**NOTE:** There is an optional "standard pack" sized battery tray included!

**71050** **x2**  
Hook and Loop Straps

## GATE 02 ELECTRONIC MOUNTS BUILD: BAG 3

**42007** **x1**  
Receiver Grommet

**42007** **x1**  
Receiver Grommet Plug

**42006** **x1**  
Receiver Box Bottom

**25202** **x4**  
3x10mm FHCS

**Receiver** **x1**

**6727** **x1**  
Servo Tape

**Servo** **x1**

**42041** **x1**  
Servo Horn 25T

**7337** **x4**  
.250 x .125 x .015 Washer

**25211** **x5**  
3x10mm BHCS

**THREAD LOCK #1536**

## GATE 03 ELECTRONIC MOUNTS BUILD: BAG 3

**ESC** **x1**

**6727** **x1**  
Servo Tape

**6338** **x1**  
Antenna Tube and Cap

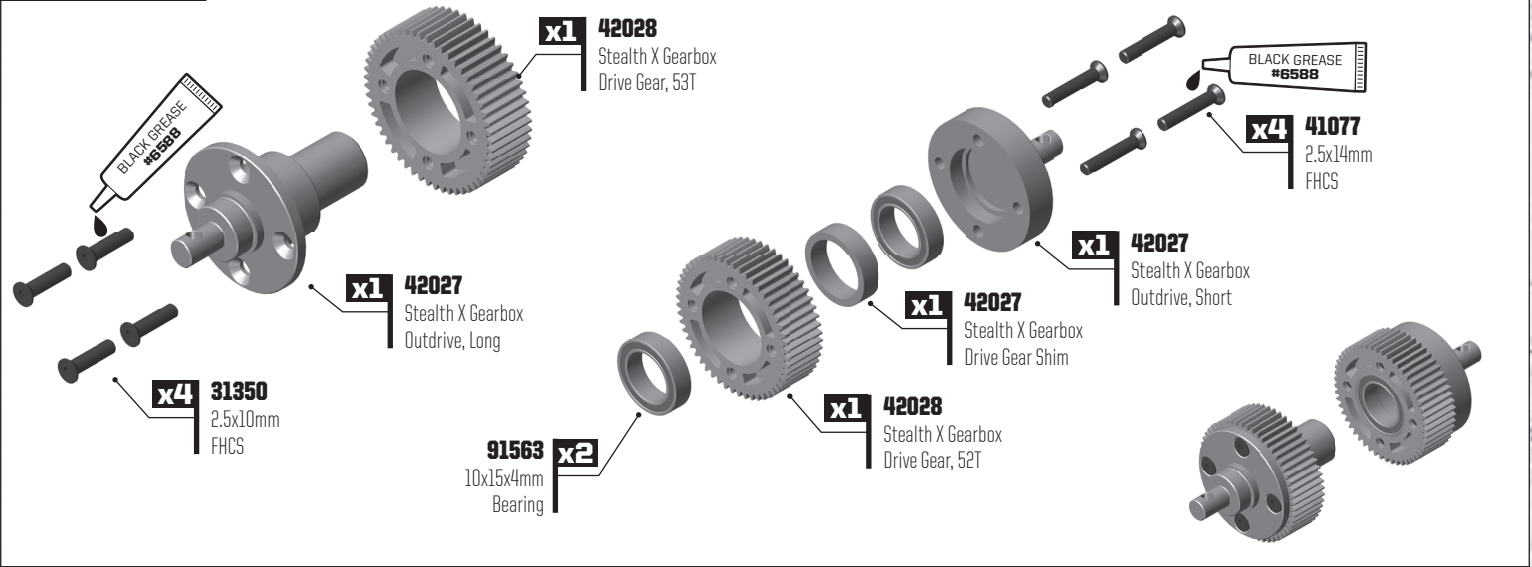
**25225** **x1**  
3x3mm Set Screw

**25202** **x4**  
3x10mm FHCS

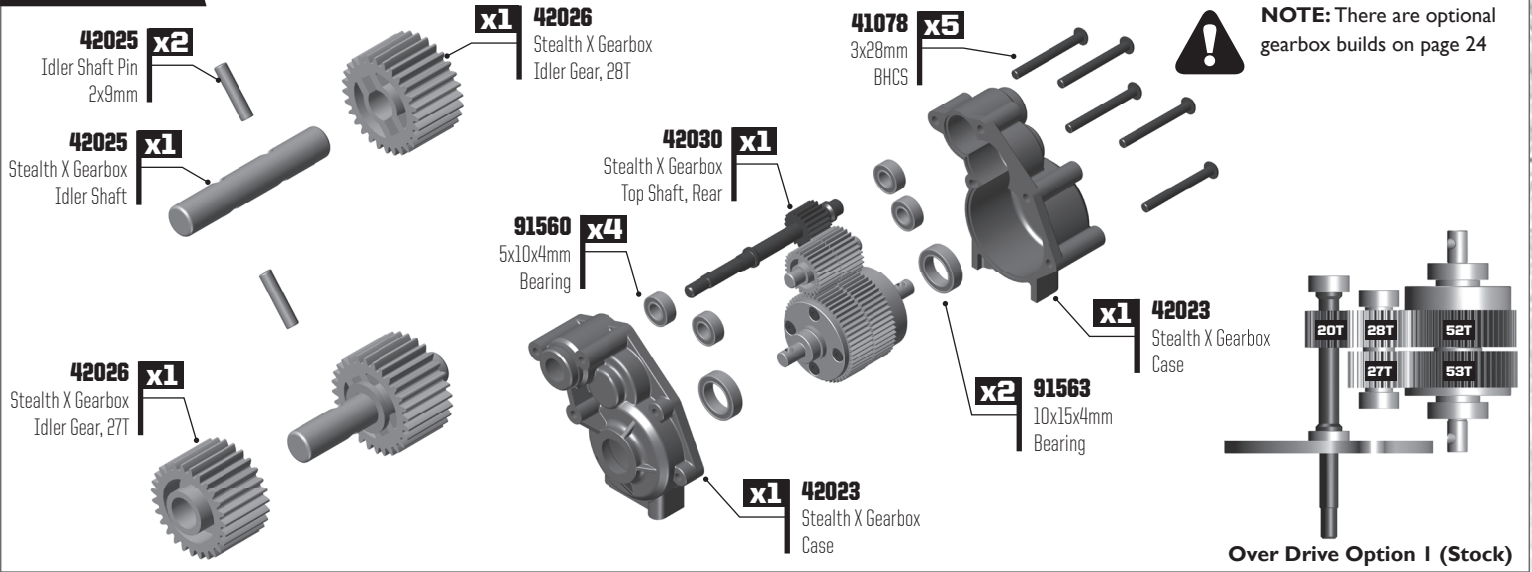
**42006** **x1**  
Receiver Box Lid

**42007** **x1**  
Receiver Box Grommet

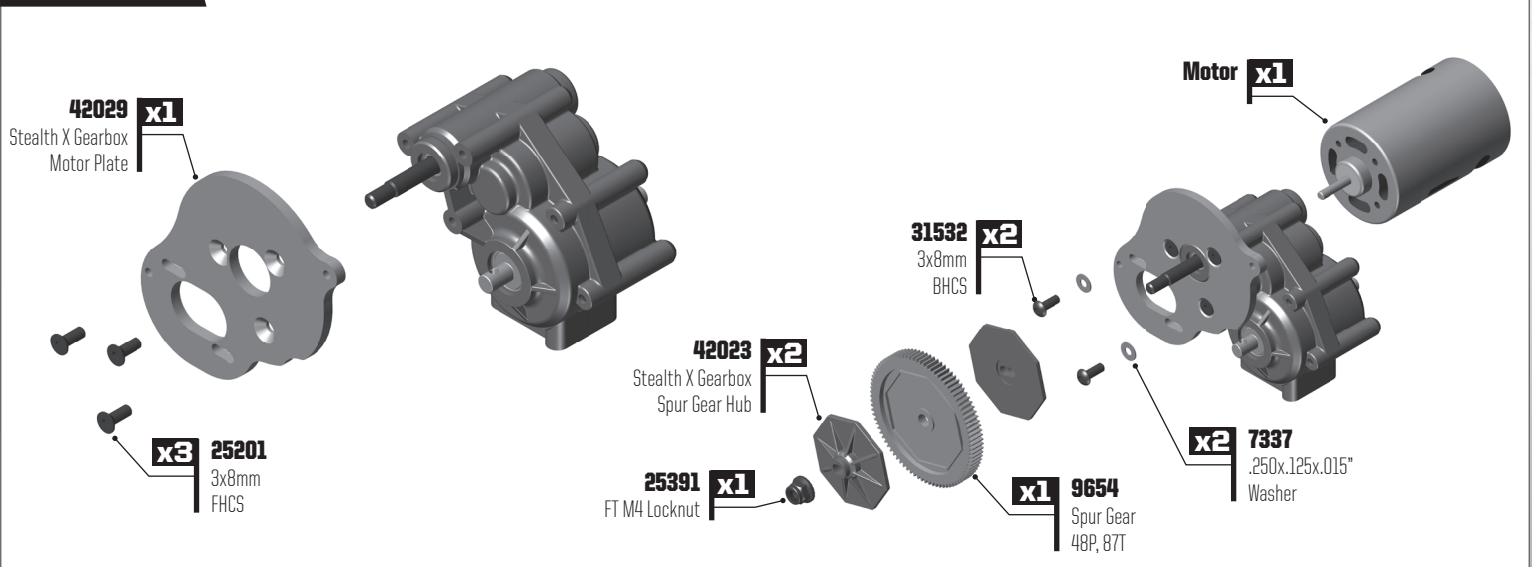
**GATE 01** GEARBOX BUILD: BAG 4



**GATE 02** GEARBOX BUILD: BAG 4

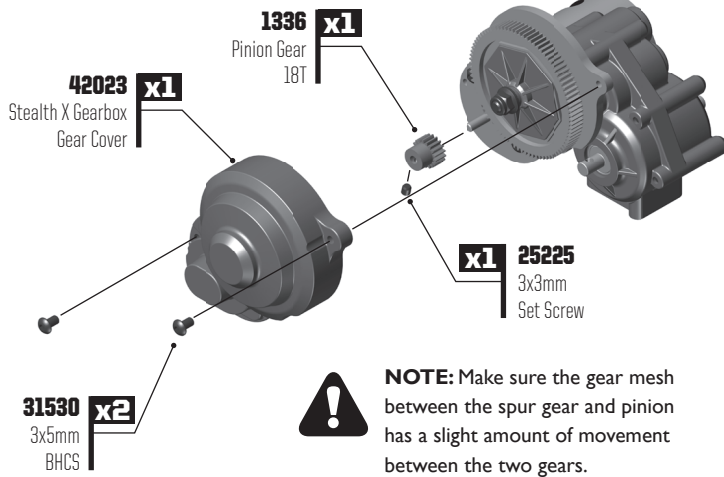


**GATE 03** GEARBOX BUILD: BAG 4

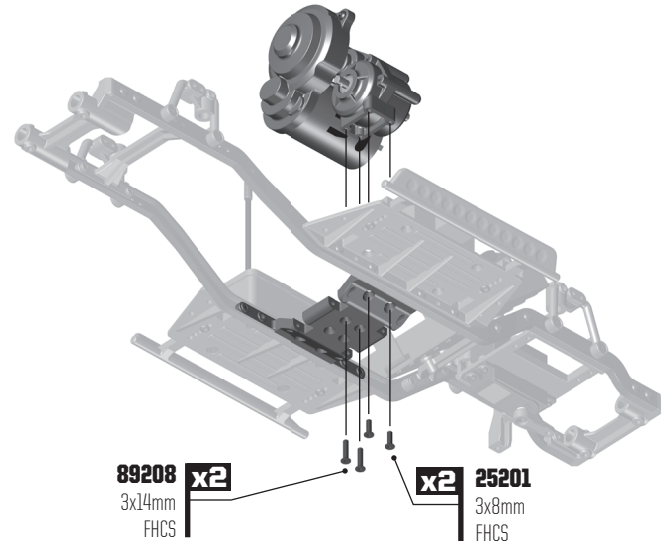


## GATE 04

GEARBOX BUILD: BAG 4

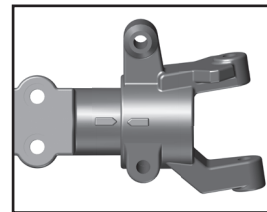
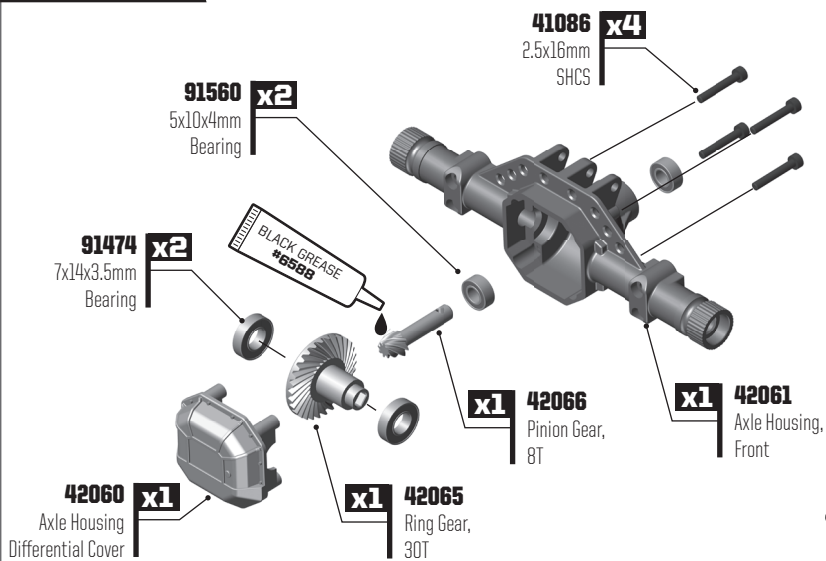


**NOTE:** Make sure the gear mesh between the spur gear and pinion has a slight amount of movement between the two gears.

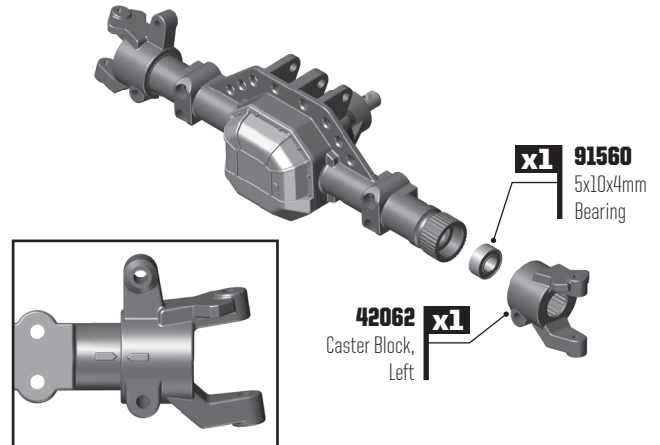


## GATE 01

FRONT AXLE BUILD: BAG 5



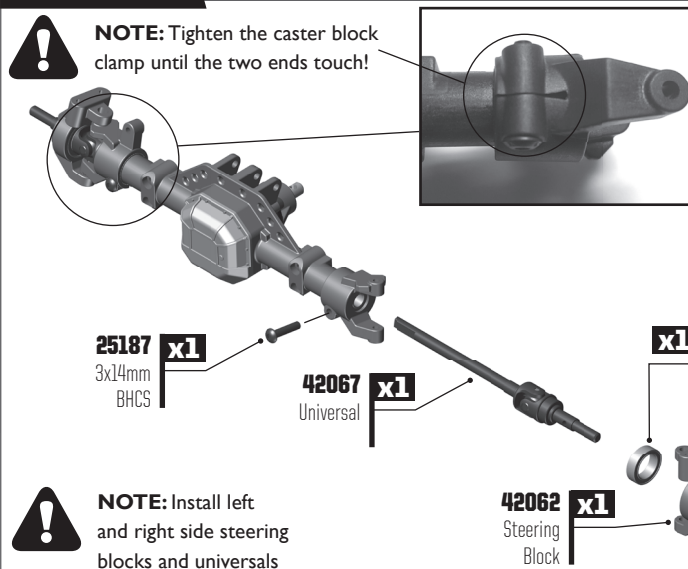
**NOTE:** Align the two arrows when installing the caster block!



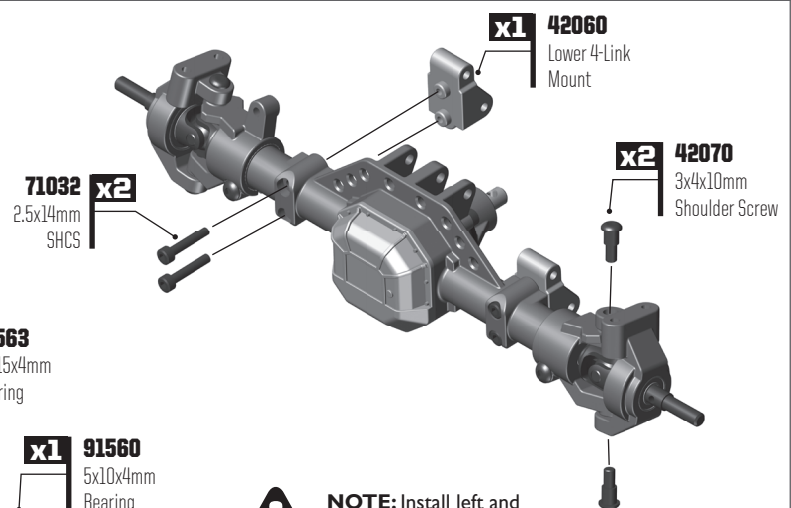
**NOTE:** Install Left and right side caster blocks and bearings

## GATE 02

FRONT AXLE BUILD: BAG 5



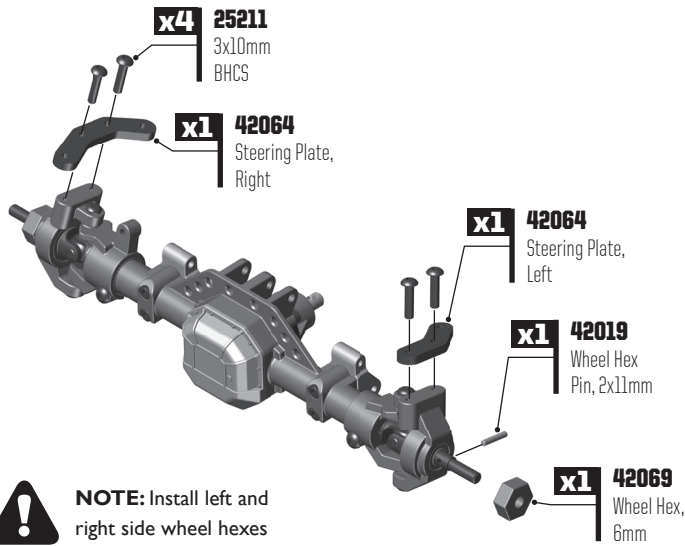
**NOTE:** Install left and right side steering blocks and universals



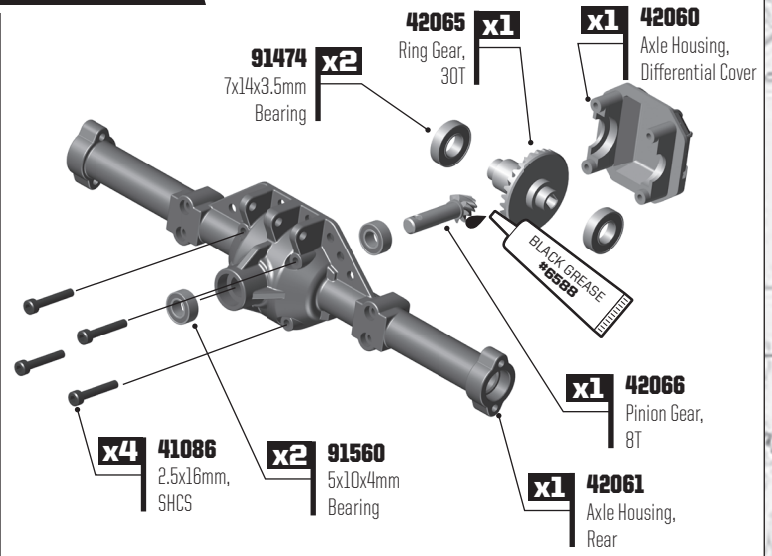
**NOTE:** Install left and right side axle mounts and shoulder screws



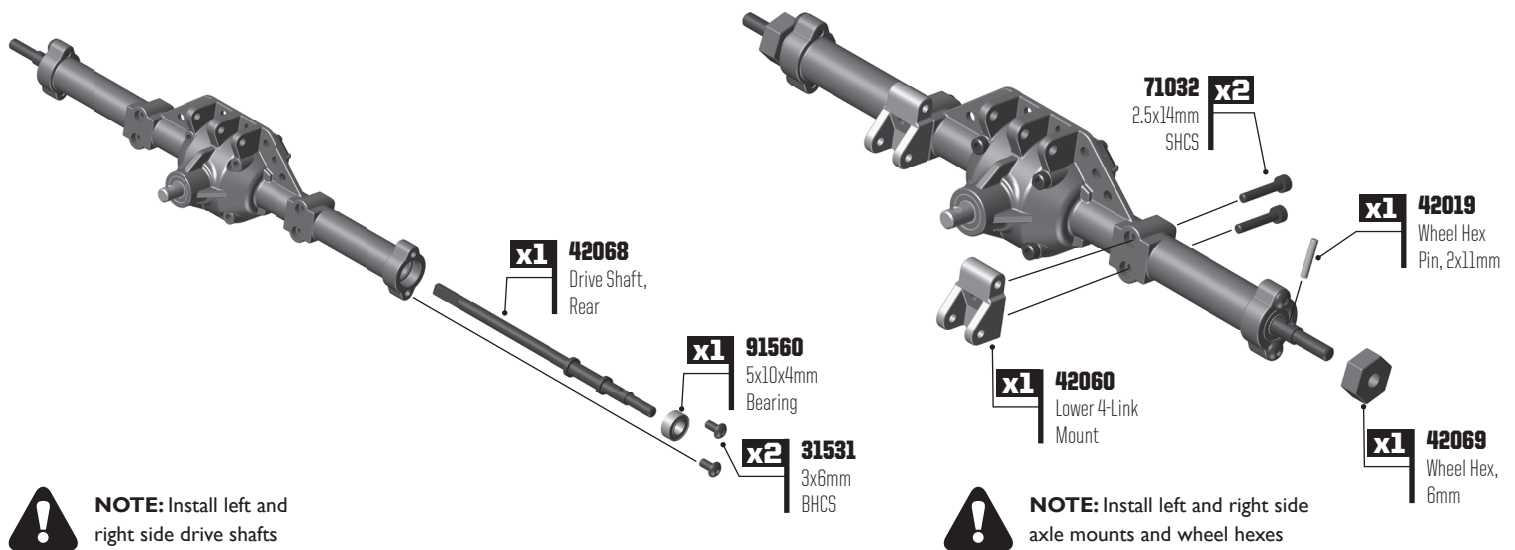
## GATE 03 FRONT AXLE BUILD: BAG 5



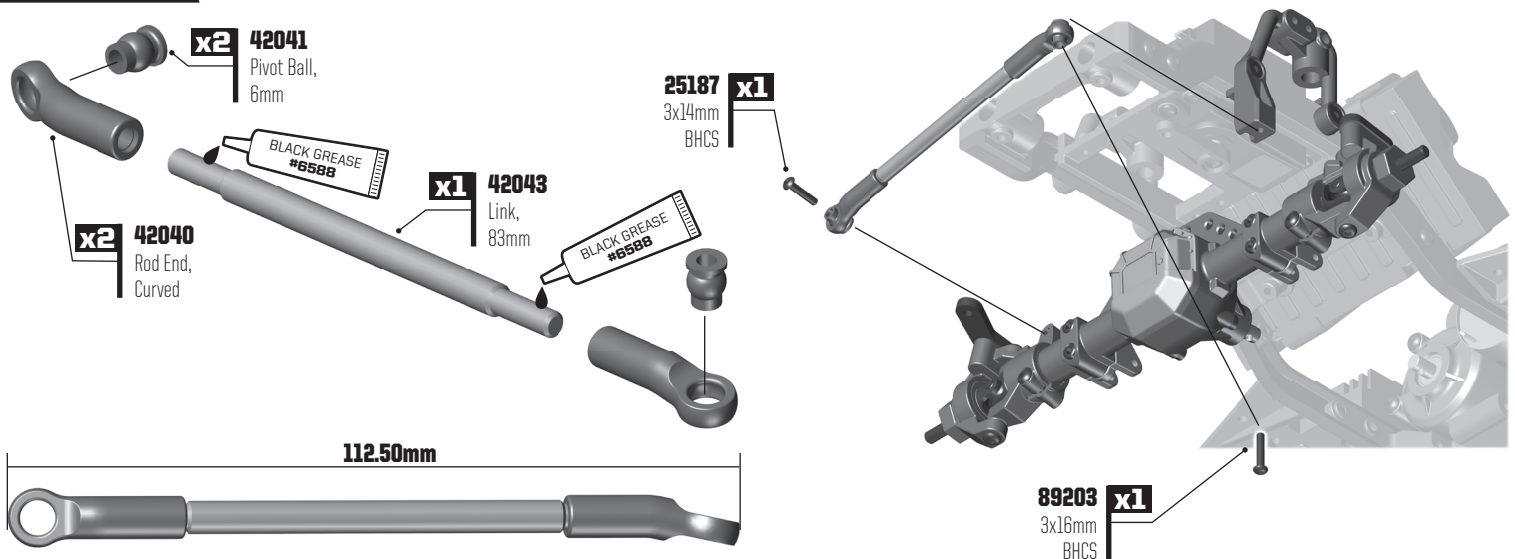
## GATE 01 REAR AXLE BUILD: BAG 6



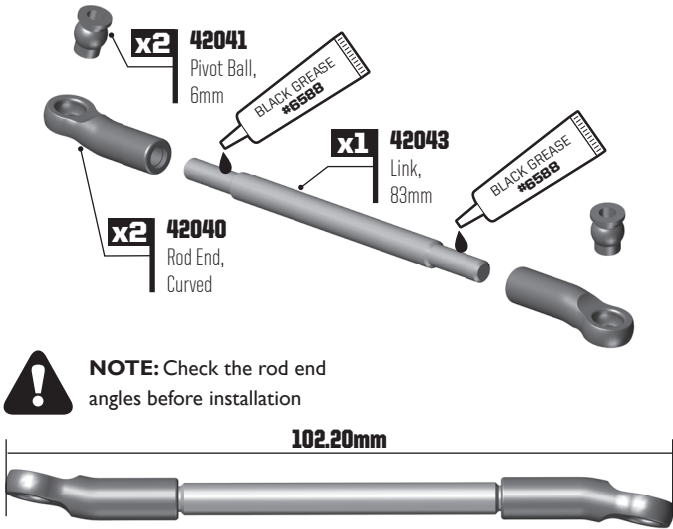
## GATE 02 REAR AXLE BUILD: BAG 6



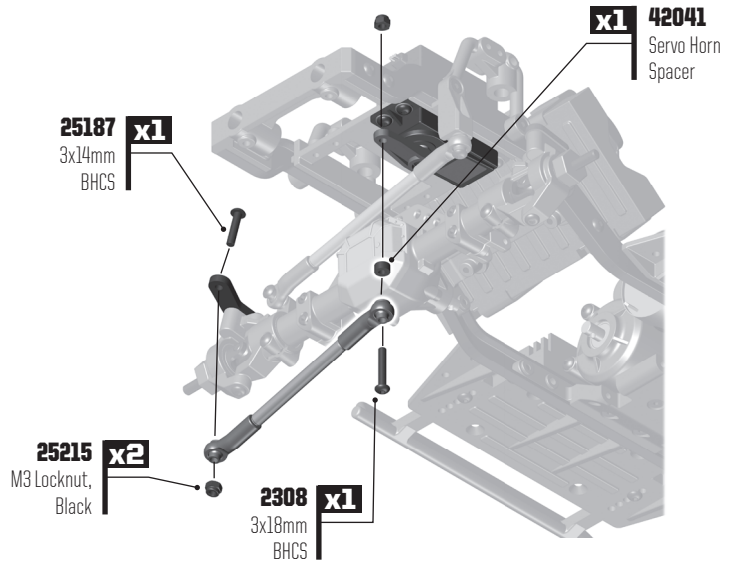
## GATE 01 LINKS BUILD: BAG 7



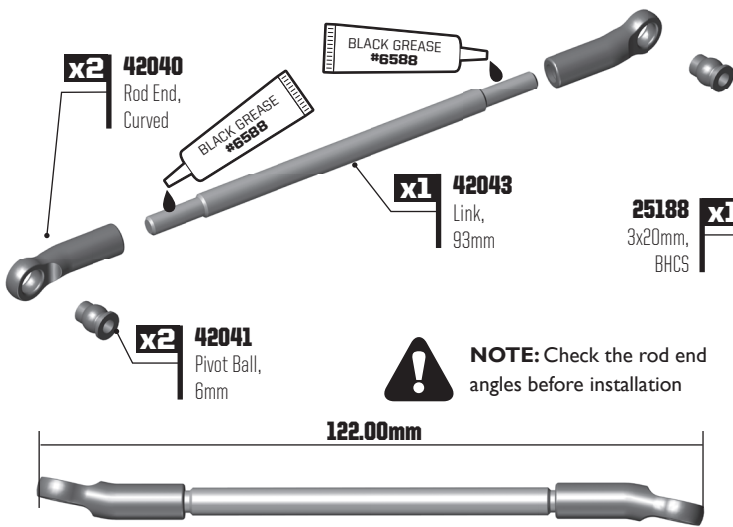
**GATE 02** LINKS BUILD: BAG 7



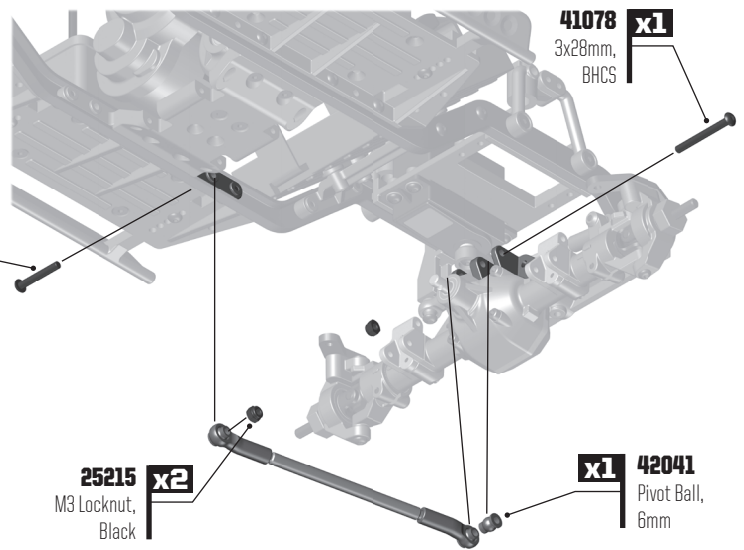
**NOTE:** Check the rod end angles before installation



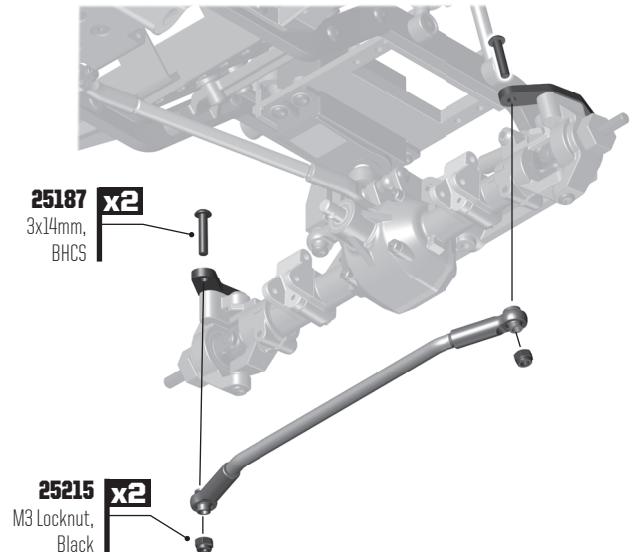
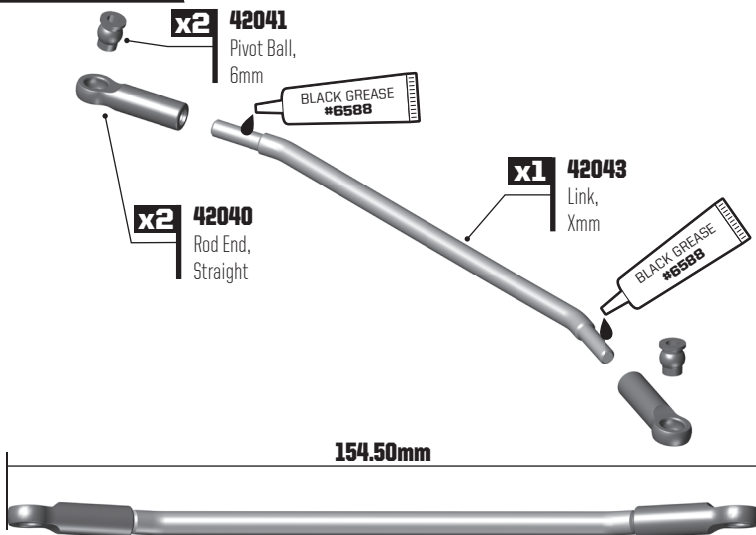
**GATE 03** LINKS BUILD: BAG 7



**NOTE:** Check the rod end angles before installation



**GATE 04** LINKS BUILD: BAG 7



**GATE 05 LINKS BUILD: BAG 7**

**NOTE:** Build and install two rear upper links

**x2** 42041 Pivot Ball, 6mm

BLACK GREASE #6588

**x1** 42044 Link, 108mm

BLACK GREASE #6588

**x2** 42040 Rod End, Curved

**NOTE:** Check the rod end angles before installation

137.00mm

**x1** 25188 3x20mm BHCS

**x1** 41078 3x28mm BHCS

**x2** 25215 M3 Locknut, Black

**GATE 06 LINKS BUILD: BAG 7**

**NOTE:** Build and install two front lower links

**x2** 42041 Pivot Ball, 6mm

BLACK GREASE #6588

**x1** 42043 Link, 100mm

BLACK GREASE #6588

**x2** 42040 Rod End, Curved

**NOTE:** Check the rod end angles before installation

129.50mm

**x1** 25187 3x14mm BHCS

**x1** 4689 3x16mm Set Screw

**GATE 07 LINKS BUILD: BAG 7**

**NOTE:** Build and install two rear lower links

**x2** 42041 Pivot Ball, 6mm

BLACK GREASE #6588

**x1** 42044 Link, 114mm

BLACK GREASE #6588

**x2** 42040 Rod End, Curved

**NOTE:** Check the rod end angles before installation

143.00mm

**x1** 25187 3x14mm BHCS

**x1** 4689 3x16mm Set Screw

## GATE 01 DRIVE SHAFT BUILD: BAG 8

**Drive Shaft Lengths**

	Front (mm)	Rear (mm)
Female 1	33	33
Female 2	33	42
Male	48	60

**NOTE:** Build a front and rear drive shaft

## GATE 02 DRIVESHAFT BUILD: BAG 8

**NOTE:** Install the front drive shaft

**NOTE:** Install the rear drive shaft

## GATE 03 DRIVESHAFT BUILD: BAG 8

**NOTE:** Make sure the screw pins are aligned with each female CVA during assembly

**NOTE:** Make sure the phasing of the drive shafts is correct when installing them to the axles and gearbox.

**Correct Phasing**

**Incorrect Phasing**

**FRONT** 33 48 33

**REAR** 42 60 33

42022 x4 Screw Pin

THREAD LOCK #1596

**GATE 01 SHOCK BUILD: BAG 9**

**x1 42081** Shock Piston

**x2 6299** E-Clip

**x1 42083** Shock Shaft, 3x30mm

**x1 42081** O-Ring, Shock Cap

**x1 42082** Shock Body, 10x32mm

**x2 5407** O-Ring, Red

**x1 42081** Shock O-Ring Spacer

**x1 42080** Shock Bottom Cap

**x1 42040** Enduro Rod Ends

**NOTE:** Build 4 complete shocks

**GATE 02 SHOCK BUILD: BAG 9**

**Shock Bleeding Steps:**

1. Pull shock shaft down.
2. Fill shock body 3/4 full with silicone fluid.
3. Slowly move the shock shaft up and down to remove air from under piston.
4. Wait for bubbles to come to surface.
5. Fill shock body to top with silicone fluid.
6. Place a drop of oil in the cap and on cap threads.
7. Install cap and tighten completely.
8. Slowly compress shaft all the way to the top. If there is pressure at the top of the stroke, there is too much oil or air. You must bleed it out.
9. Slowly pull shaft out.
10. Unscrew the cap 3/4 turn and tilt the shock at a slight angle.
11. Slowly compress the shaft to push out excess oil and air. You should see bubbles coming out from under the cap.
12. With the shaft compressed, tighten the cap and re-check for pressure at the top of the stroke. If there is still pressure, repeat steps 9 thru 11.

**NOTE:** Build 4 complete shocks

**x1 42080** Shock Cap, Enduro

**Step 1-3**      **Step 3-4**      **Step 5-6**      **Step 7**      **Step 8-12**

**GATE 03 SHOCK BUILD: BAG 9**

**x1 42081** O-Ring, Shock Collar

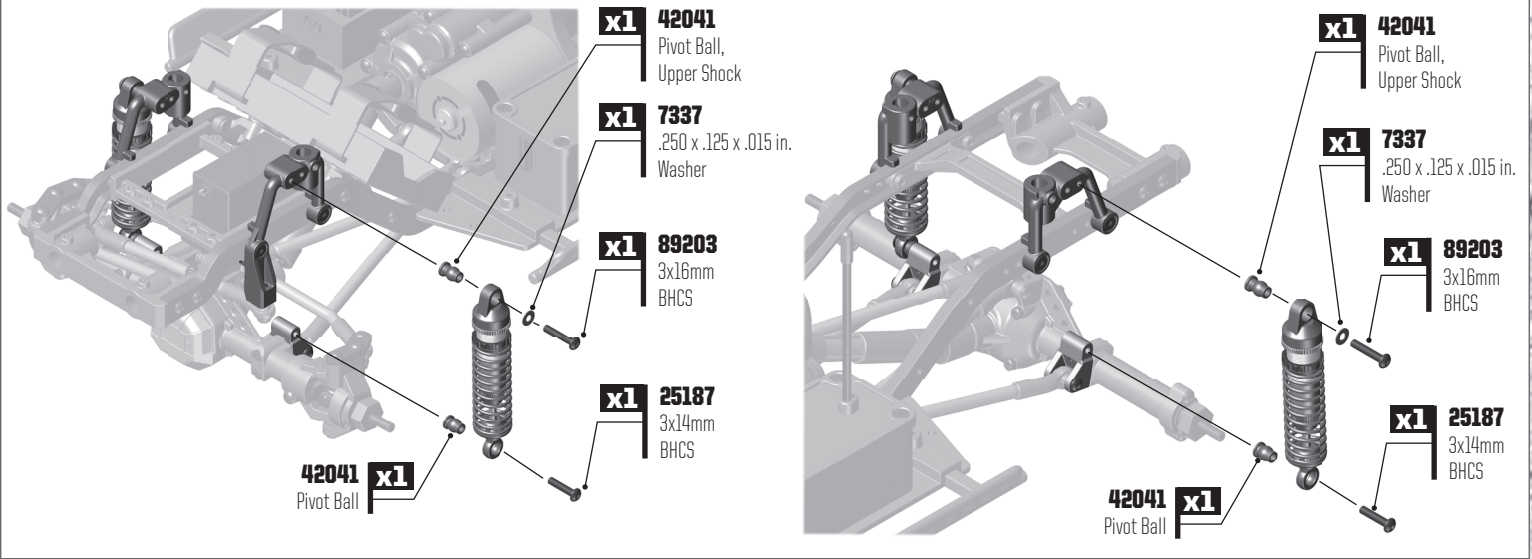
**x1 42079** Shock Collar, Black, Aluminum

**x1 42089** Shock Spring, Gray, 1.49 lb/in, 63mm

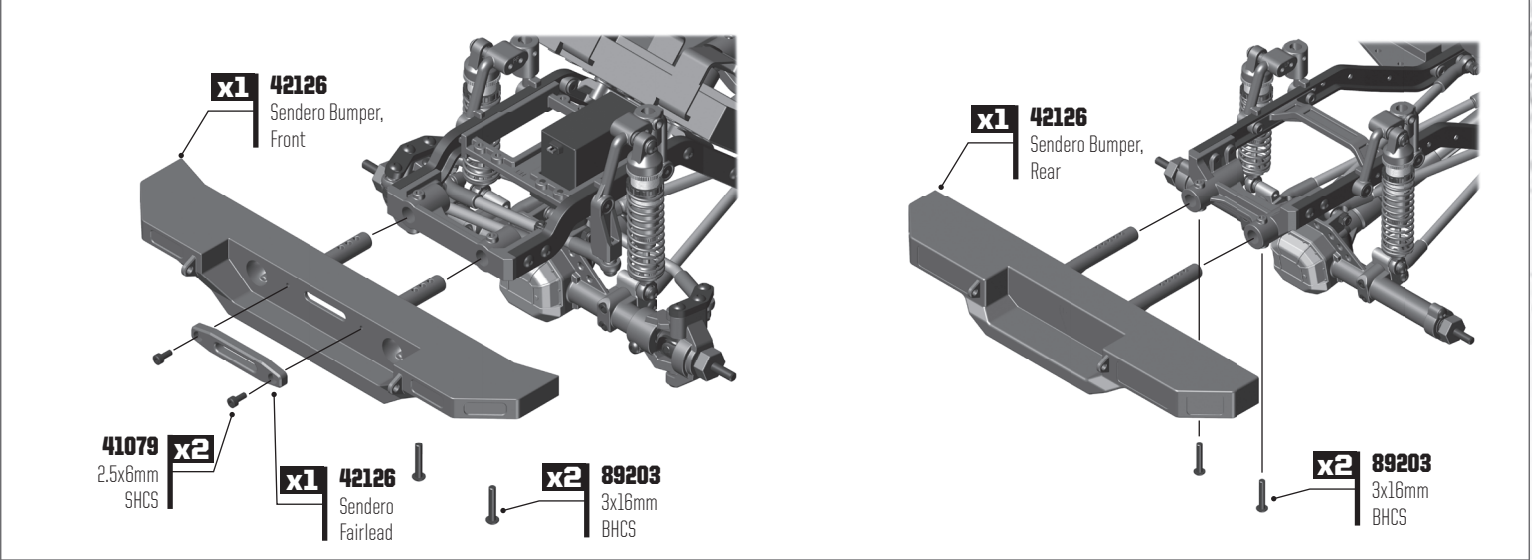
**x1 42080** Shock Spring Cup

**NOTE:** Build 4 complete shocks

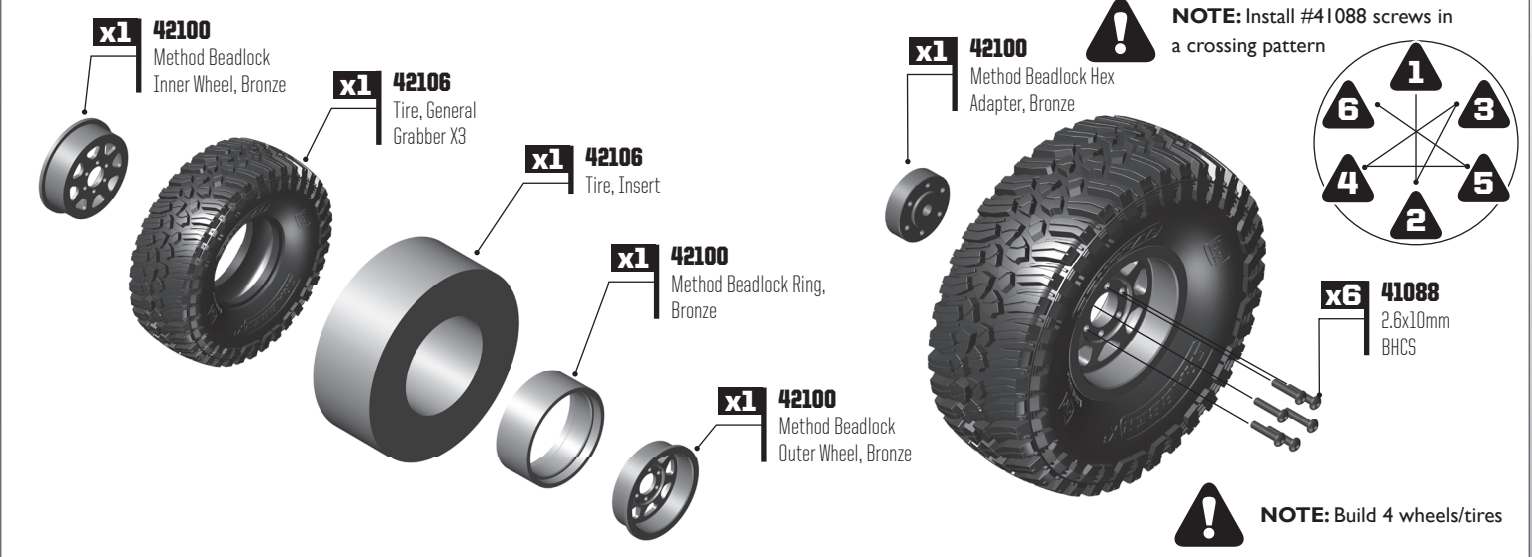
**GATE 04 SHOCK BUILD: BAG 9**



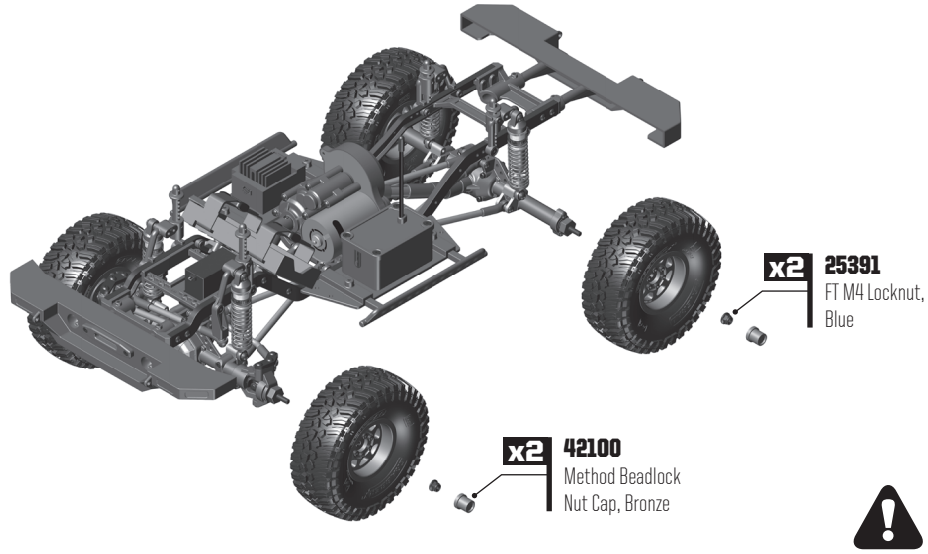
**GATE 01 BUMPER BUILD: BAG 10**



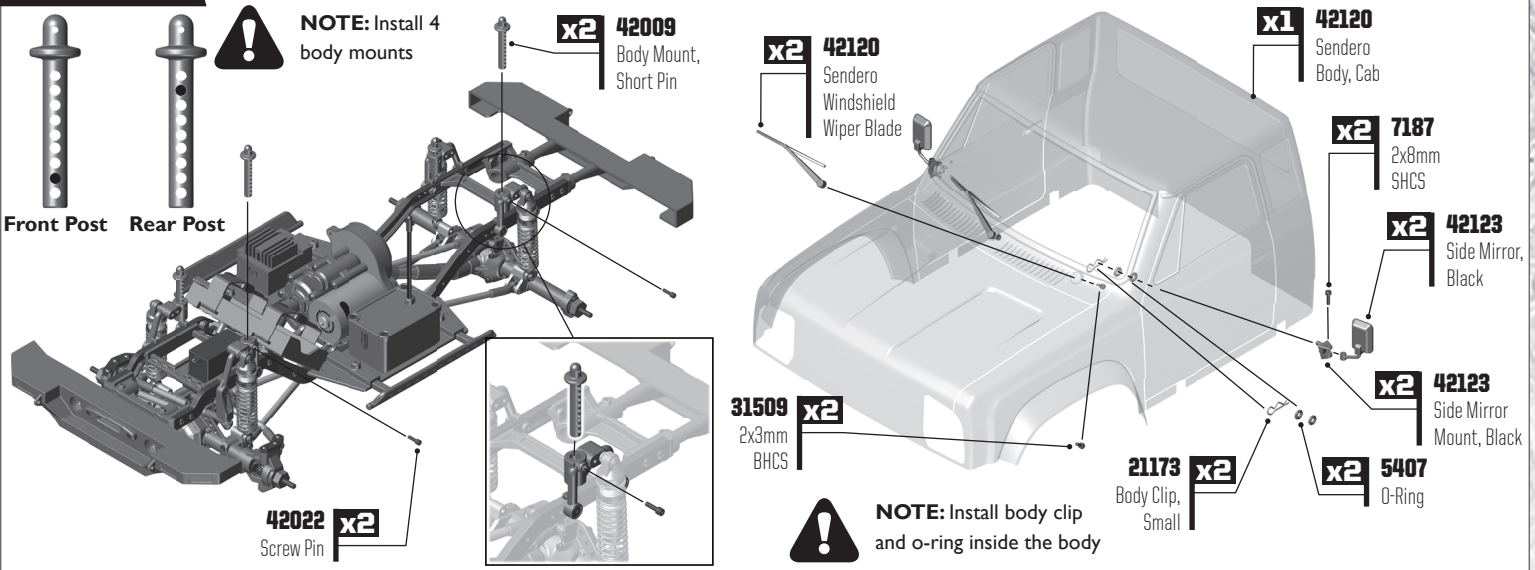
**GATE 01 WHEEL/TIRE BUILD**



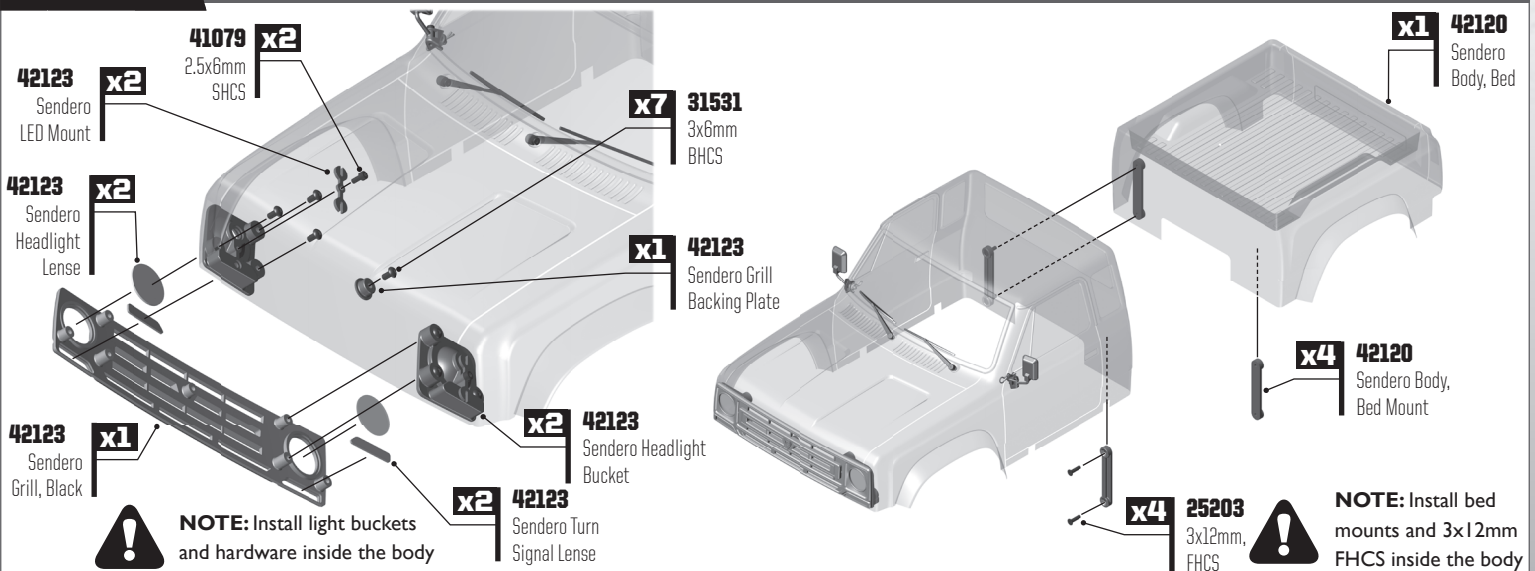
## GATE 02 WHEEL/TIRE BUILD



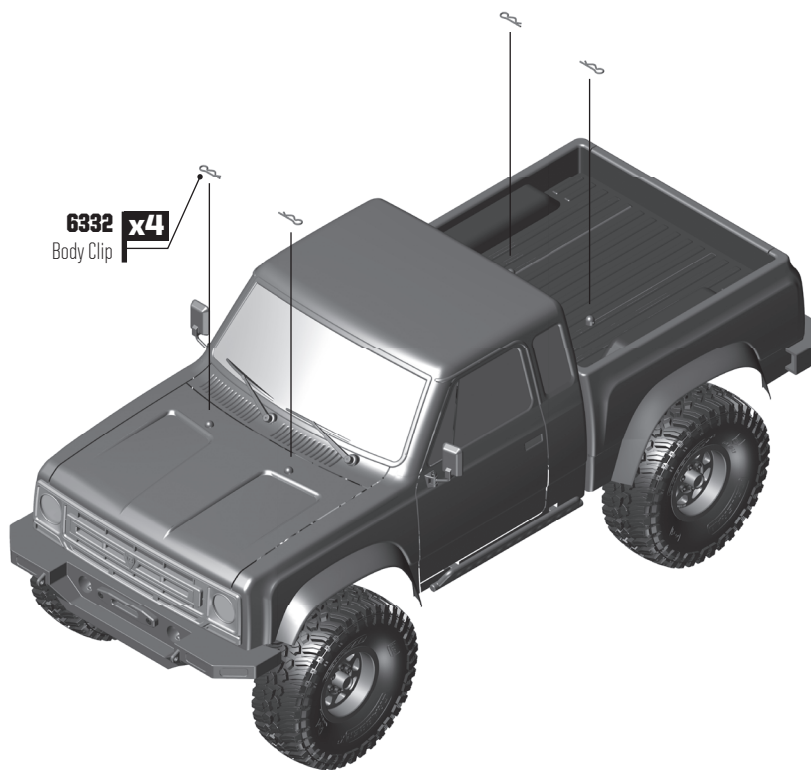
## GATE 01 BODY BUILD: BAG 11



## GATE 02 BODY BUILD: BAG 11

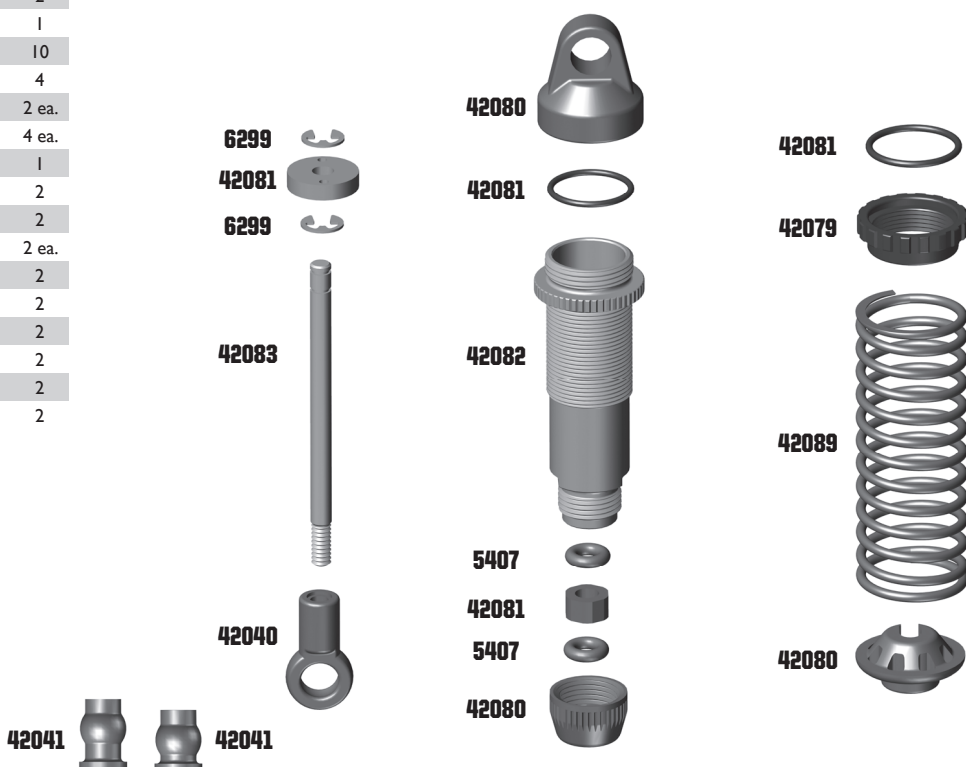


**GATE 03** BODY BUILD: BAG 11



**Shocks**

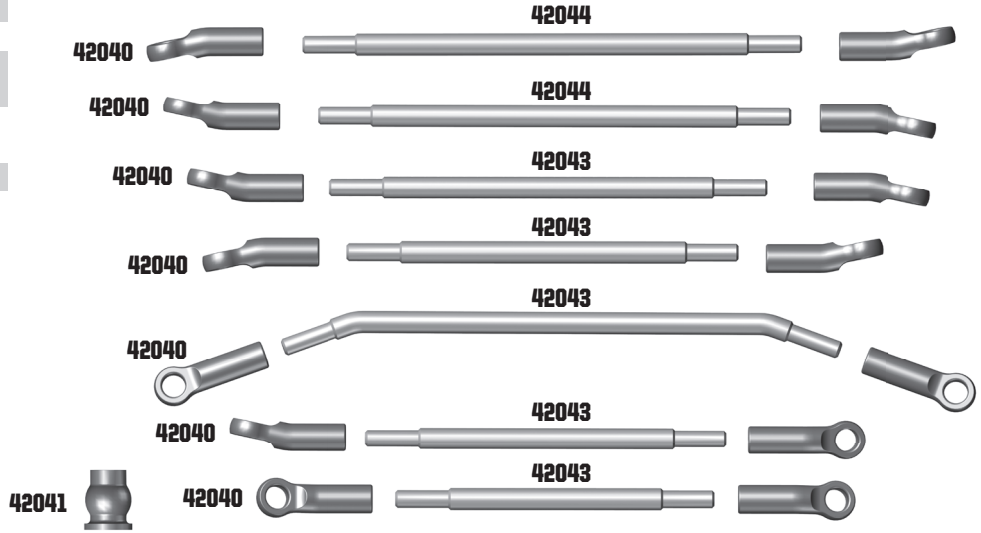
5407	O-Rings, Red, Silicone	8
6299	E-Clipp, 1/8"	12
42040	Enduro Rod Ends	2
42041	Enduro Pivot Balls Set	1
42054	FT Enduro Pivot Ball, Steel	10
42055	FT Enduro, Shock Bushing, Steel	4
42079	Enduro Shock Parts, Black Aluminum	2 ea.
42080	Enduro Shock Parts	4 ea.
42081	Enduro Shock Internals	1
42082	Enduro Shock Body, Silver, 10x32mm	2
42083	Enduro Shock Shaft, 3x30mm	2
42085	Enduro Shock Parts, Blue Aluminum	2 ea.
42086	FT Enduro Shock Body, Bronze, 10x32mm	2
42087	Shock Spring, Green 0.71 lb/in, 63mm Long	2
42088	Shock Spring, White, 0.95 lb/in, 63mm Long	2
42089	Shock Spring, Gray, 1.49 lb/in, 63mm Long - KIT	2
42090	Shock Spring, Blue, 2.09 lb/in, 63mm Long	2
42091	Shock Spring, Yellow, 2.47 lb/in, 63mm Long	2





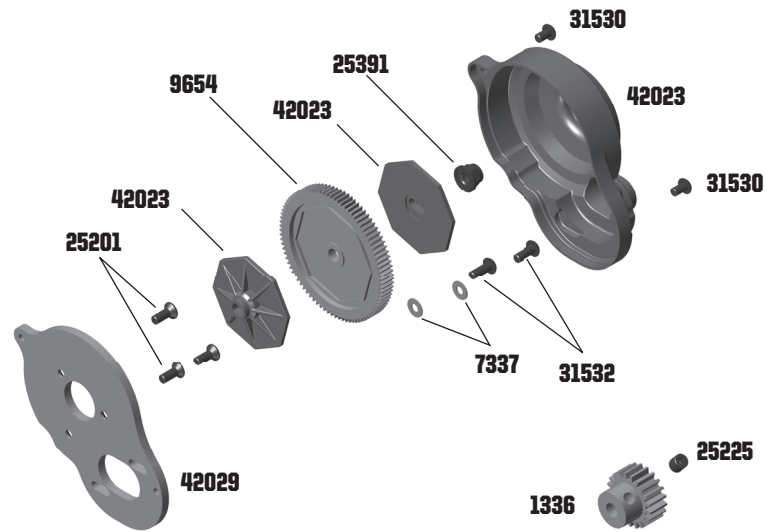
## Tie Rods/Links

42040	Enduro Rod Ends	1
42041	Enduro Pivot Balls Set	1
42043	Enduro Front Links Set (Steering, 73mm, 83mm, 90mm, 100mm)	1
42044	Enduro Rear Links Set (96mm, 100mm, 108mm, 114mm)	1
42054	FT Enduro Pivot Balls, Steel	10
42055	FT Enduro Shock Bushings, Steel	4



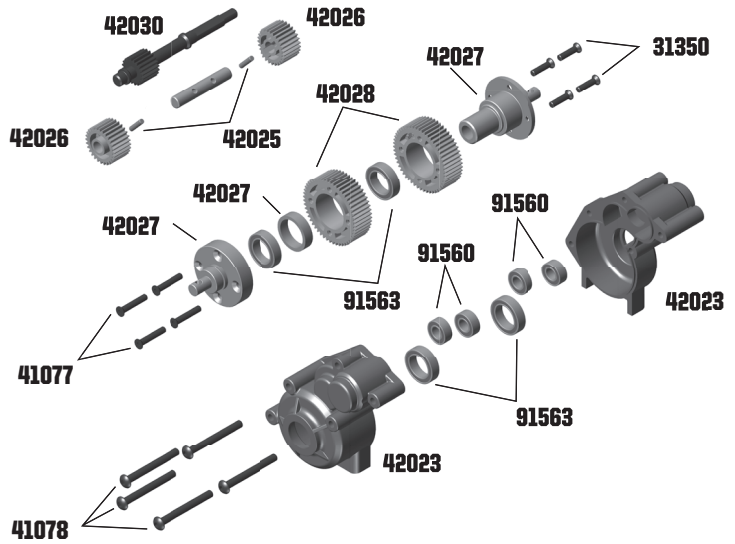
## Motor Mount

1336	18T 48P Aluminum Pinion	1
7337	Washers, .250 x .125 x .015	4
9654	Spur Gear, 87T, 48P	1
25201	M3x8mm FHCS	10
25225	M3x3mm Set Screw	10
25391	FT M4 Locknuts, Blue	10
31530	M3x5mm BHCS	10
31532	M3x8mm BHCS	10
42023	Stealth X Gearbox (Case, Gear cover, Spur Gear Hubs)	1
42029	Stealth X (Motor Plate)	1



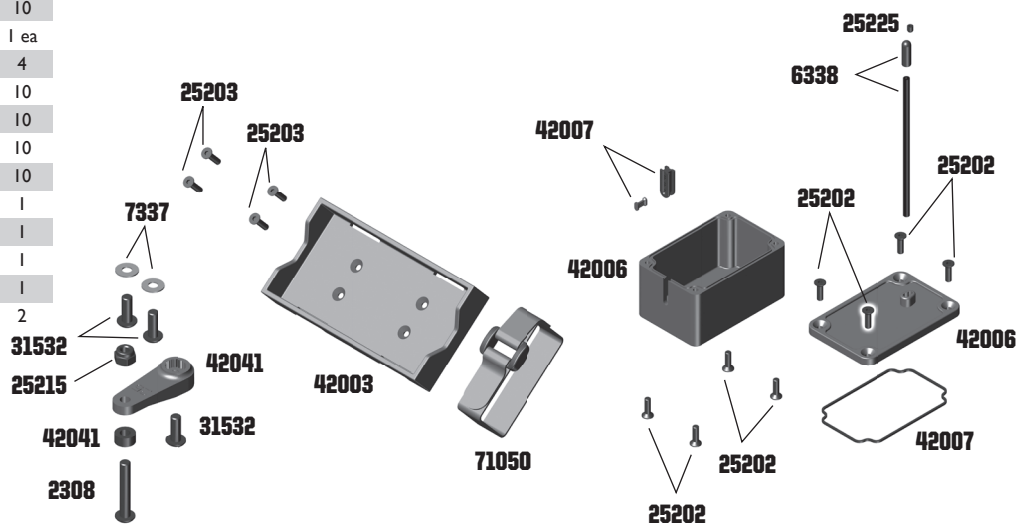
## Transmission

31350	M2.5x10mm FHCS	10
41077	M2.5x14mm FHCS	10
41078	M3x28mm BHCS	10
42023	Stealth X Gearbox (Case, Spur Gear Hubs, Gear Cover)	1
42025	Stealth X Idler Shaft, Idler Shim, Pins	1
42026	Stealth X Idler Gear (26T, 27T, 28T)	1 ea
42027	Stealth X Outdrives	1
42028	Stealth X Drive Gear Set	1
42030	Stealth X Top Shaft (Stock Gearbox)	1
91560	FT Bearings, 5x10x4mm	4
91563	FT Bearings, 10x15x4mm	4



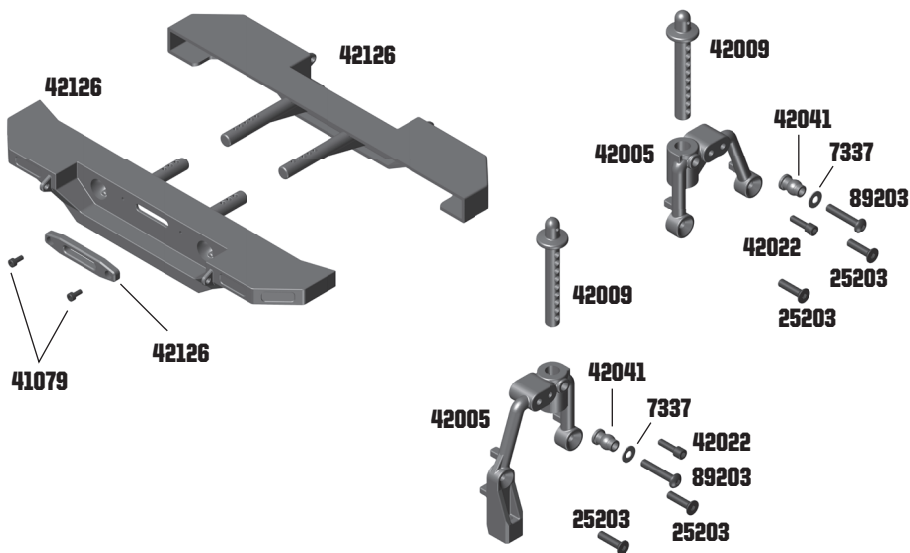
## Battery Tray/Radio Box

2308	M3x18mm BHCS	10
6338	Antenna Tube and Cap	1 ea
7337	Washers, .250 x .125 x .015	4
25202	M3x10mm FHCS	10
25203	M3x12mm FHCS	10
25215	M3 Locknut	10
31532	M3x8mm BHCS	10
42003	Enduro Battery Box (Small x1, Standard x1)	1
42006	Enduro Receiver Box (Bottom, Top)	1
42007	Enduro Receiver Box (Grommet, Plug, Gasket)	1
42041	Enduro Servo Horn, Spacer, Pivot Balls	1
71050	Hook and Loop Straps	2



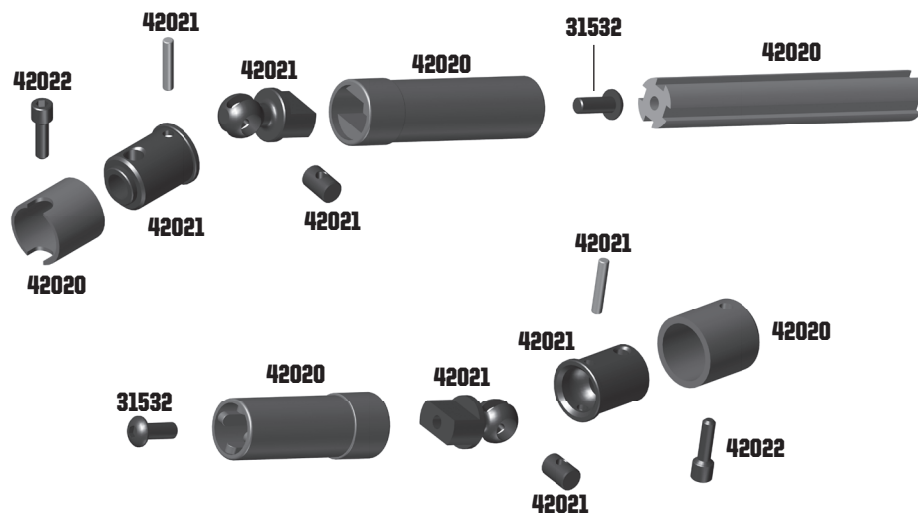
## Bumpers/Body Mounts

7337	Washers, .250 x .125 x .015	4
25203	M3x12mm FHCS	10
41079	M2.5x6mm SHCS	10
42005	Shock Mount Set	1 ea
42009	Enduro Body Posts (4 Short, 1 Tall)	4
42022	Screw Pin, 4x12mm	6
42041	Enduro Pivot Ball Set	1
42126	Sendero Bumpers and Fairlead, Black	1 ea
89203	M3x16mm BHCS	10



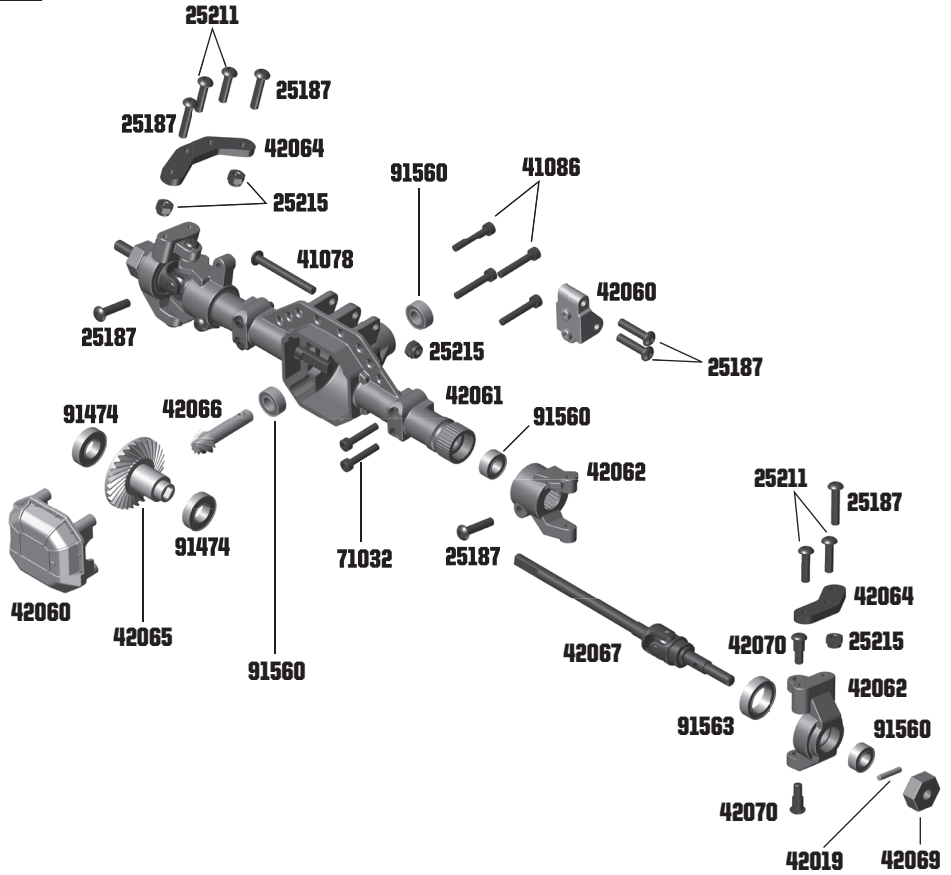
## Drive Shafts

31532	M3x8mm BHCS	10
42020	Enduro Drive Shaft Parts, Molded	1
42021	Enduro Drive Shaft Parts, Machined	1
42022	Screw Pin, 4x12mm	6



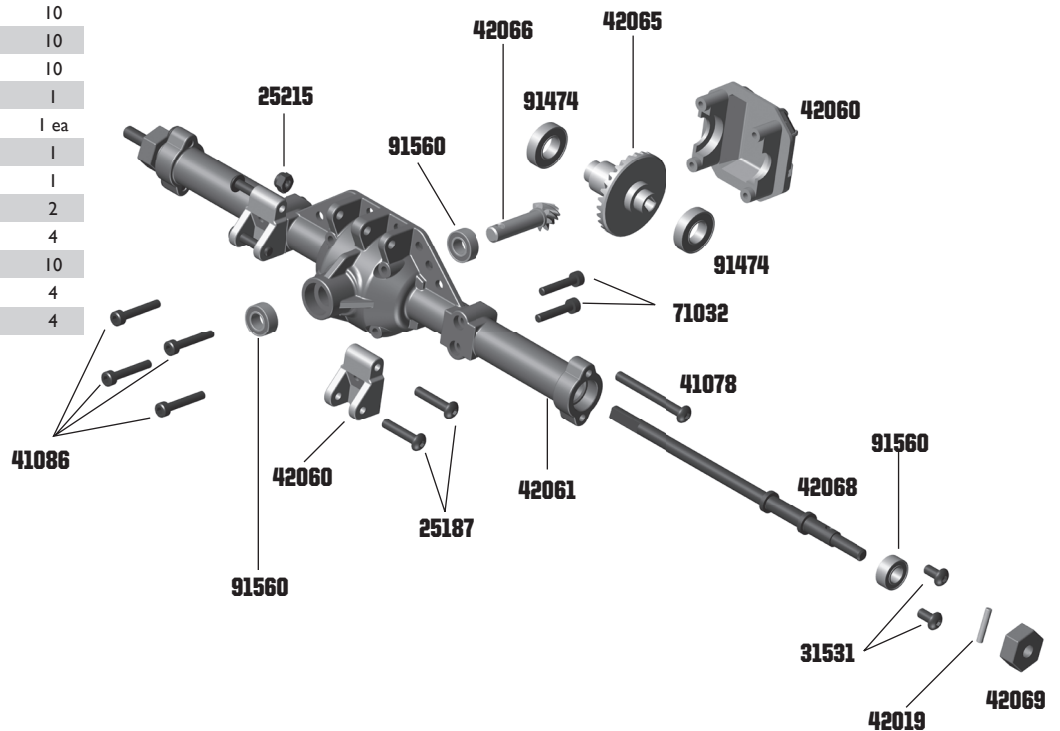
## Front Axle

25187	M3x14mm BHCS	10
25211	M3 Locknut	10
25215	M3 Locknut	10
41078	M3x28mm BHCS	10
41086	M2.5x16mm SHCS	10
42019	Enduro 2x11mm Pin	10
42060	Enduro Diff Cover and Lower 4-Link Mounts	1
42061	Enduro Axle Housing (Front, Rear)	1 ea.
42062	Enduro Caster Blocks and Steering Blocks	1 ea.
42064	Enduro Steering Block Arms	1 ea.
42065	Enduro Ring Gear, 30T	1
42066	Enduro Pinion Gear, 8T	1
42067	Enduro Front Universal, Driveshaft, 80mm	2
42069	Enduro Wheel Hex, 6mm	4
42070	Enduro Shoulder Screw (M3x10mm)	6
71032	M2.5x14mm SHCS	10
91474	FT Bearings, 7x14x3.5mm	4
91560	FT Bearings, 5x10x4mm	4
91563	FT Bearings, 10x15x4mm	4



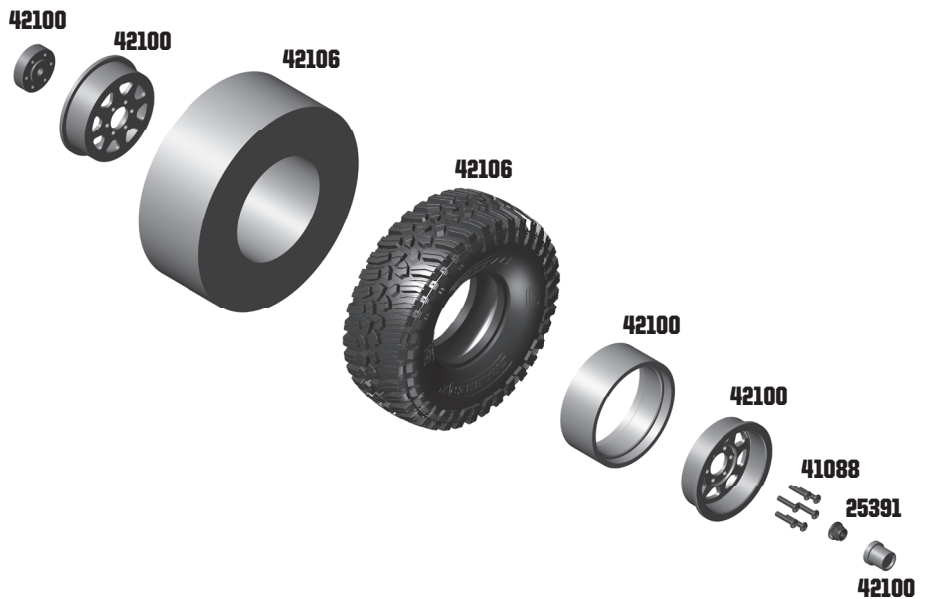
## Rear Axle

25187	M3x14mm BHCS	10
25215	M3 Locknut	10
31531	M3x6mm BHCS	10
41078	M3x28mm BHCS	10
41086	M2.5x16mm SHCS	10
42019	Enduro 2x11mm Pin	10
42060	Enduro Diff Cover and Lower 4-Link Mounts	1
42061	Enduro Axle Housing (Front, Rear)	1 ea.
42065	Enduro Ring Gear, 30T	1
42066	Enduro Pinion Gear, 8T	1
42068	Enduro Rear Drive Shaft, 80mm	2
42069	Enduro Wheel Hex, 6mm	4
71032	M2.5x14mm SHCS	10
91474	FT Bearings, 7x14x3.5mm	4
91560	FT Bearings, 5x10x4mm	4



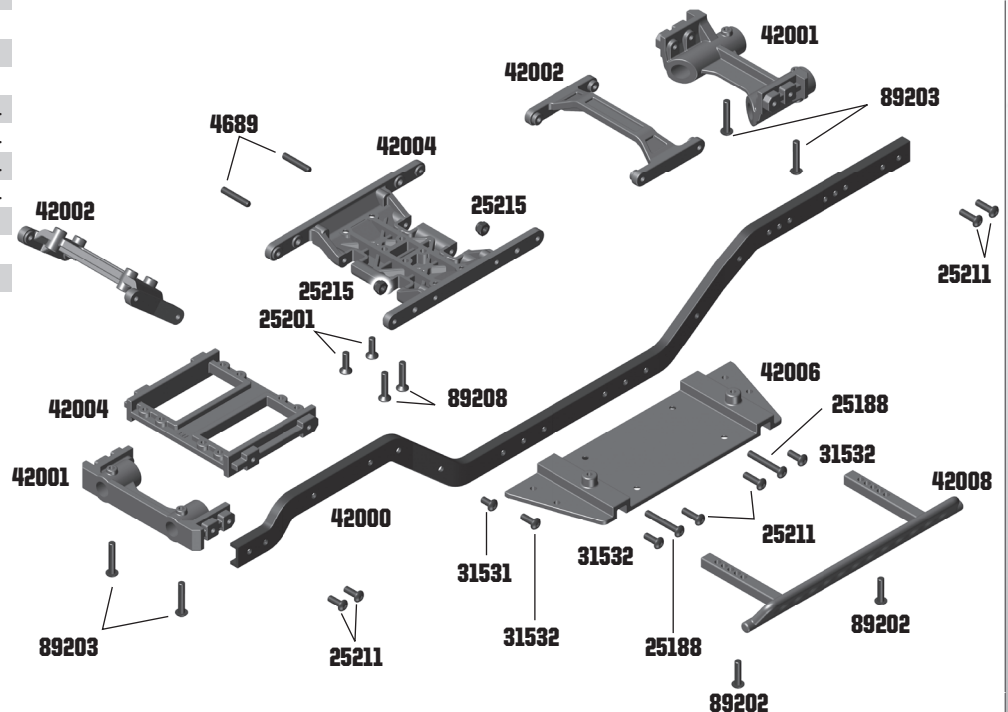
## Wheel/Tire

25391	FT M4 Locknuts, Blue	10
41088	M2.6x10mm	10
42100	Enduro Method 701 Trail Series Wheel, 1.9" Bronze	4
42101	Enduro Method 701 Trail Series Wheel, 1.9" Black	4
42102	FT Enduro Beadlock Rings, Brass	4
42103	FT Enduro Beadlock Hex Adapter, Aluminum	4
42104	FT Enduro Beadlock Hex Adapter, Brass	4
42105	FT Tire Insert, 1.9"	2
42106	General Grabber X3 Tire w/Insert (1.9x4.65" DIA)	2



## Chassis

4689	M3x16mm Set Screw	10
25188	M3x20mm BHCS	10
25201	M3x8mm FHCS	10
25211	M3x10mm BHCS	10
25215	M3 Locknuts	10
31531	M3x6mm BHCS	10
31532	M3x8mm BHCS	10
42000	Enduro Chassis Rail Set	1
42001	Enduro Bumper Mount Set (Front, Rear)	1 ea.
42002	Enduro Frame Mounting Plates	1 ea.
42004	Enduro Gearbox and Servo Mounts	1 ea.
42006	Enduro Floor Boards and Receiver Box	1 ea.
42008	Enduro Rock Sliders	2
89202	M3x12mm BHCS	10
89203	M3x16mm BHCS	10
89208	M3x14mm FHCS	10



## SHOCK FLUIDS

5420	10 Weight Silicone Shock Fluid	2oz.
5421	20 Weight Silicone Shock Fluid	2oz.
5422	30 Weight Silicone Shock Fluid	2oz.
5423	40 Weight Silicone Shock Fluid	2oz.
5424	22.5 Weight Silicone Shock Fluid	2oz.
5425	80 Weight Silicone Shock Fluid	2oz.
5426	27.5 Weight Silicone Shock Fluid	2oz.
5427	15 Weight Silicone Shock Fluid	2oz.
5428	25 Weight Silicone Shock Fluid	2oz.
5429	35 Weight Silicone Shock Fluid	2oz.
5430	45 Weight Silicone Shock Fluid	2oz.
5431	55 Weight Silicone Shock Fluid	2oz.
5432	32.5 Weight Silicone Shock Fluid	2oz.
5433	37.5 Weight Silicone Shock Fluid	2oz.
5434	42.5 Weight Silicone Shock Fluid	2oz.
5435	50 Weight Silicone Shock Fluid	2oz.
5436	60 Weight Silicone Shock Fluid	2oz.
5437	70 Weight Silicone Shock Fluid	2oz.
5438	47.5 Weight Silicone Shock Fluid	2oz.

## OPTION PARTS

42010	Enduro Bumper Mounts, Hard	1
42013	Enduro Shock Mount Set, Hard	1
42014	Enduro Floor Board, Receiver Box, Hard	1
42015	Enduro Rock Slider, Hard	1
42024	Stealth X Gearbox Top Shaft, Inverse Gearbox	1
42031	FT Stealth X Gearbox Idler Gear Set, Machined	1
42032	FT Stealth X Gearbox Drive Gear Set, Machined	1
42033	FT Stealth X Spur Gear Hub, Aluminum	2
42034	Stealth X Gearbox, Complete	1
42054	FT Pivot Ball, Steel (6mm)	10
42055	FT Pivot Ball, Shock Bushing, Steel	4
42071	Enduro Diff Cover and Lower 4-Link Mounts, Hard	1
42072	Enduro Axle Housing (Front, Rear), Hard	1 ea
42073	Enduro Caster and Steering Blocks, Hard	1
42076	FT Enduro Wheel Hex, 6mm (w/Set Screw) Steel	4
42077	Enduro Axle Kit, Complete (Builds either 1 front or 1 rear axle)	1

## PINIONS / SPUR GEARS

1335	17T 48P Aluminum Pinion Gear	1
1336	18T 48P Aluminum Pinion Gear (Kit)	1
1337	19T 48P Aluminum Pinion Gear	1
1338	20T 48P Aluminum Pinion Gear	1
1339	21T 48P Aluminum Pinion Gear	1
1340	22T 48P Aluminum Pinion Gear	1
1341	23T 48P Aluminum Pinion Gear	1
1342	24T 48P Aluminum Pinion Gear	1
1343	25T 48P Aluminum Pinion Gear	1
1344	26T 48P Aluminum Pinion Gear	1
1345	27T 48P Aluminum Pinion Gear	1
9652	78T 48P Spur Gear	1
9653	84T 48P Spur Gear	1
9654	87T 48P Spur Gear (Kit)	1

## BODIES & DECALS

5407	O-Rings, Red, Silicone	8
6332	Body Clips	10
7187	M2x8mm SHCS	10
21173	Body Clips, Small	10
25203	M3x12mm FHCS	10
31509	M2x3mm BHCS	10
31531	M3x6mm BHCS	10
41079	M2.5x6mm SHCS	10
42120	Sendero Body Set, Clear (with Black Body Accessories)	1
42121	Sendero Body, Clear (Cab, Bed, Window Masks)	1
42122	Sendero Body Decal Sheet	1
42123	Sendero Body Accessories, Black	1
42124	Sendero Body Accessories, Chrome	1
42125	Sendero Body Accessories, Satin Chrome	1
42126	Sendero Bumpers (Front, Rear, and Fairlead), Black	1
42127	FT Sendero Fairlead, Aluminum	1
42128	FT Sendero Fairlead, Gunmetal Aluminum	1
42129	FT Sendero Fairlead, Green Aluminum	1
42130	FT Sendero Fairlead, Blue Aluminum	1
42132	Sendero Inner Fenders	1
42133	Element Decal Sheet	1

## LUBES & ADHESIVES

1105	FT Green Slime Shock Lube	1
1596	FT Locking Adhesive	1
1597	FT Tire Adhesive, medium	1
6588	Black Grease - 4cc	1
6591	S.Diff Lube - 4cc	1
6636	Silicone Grease - 4cc	1
6727	Servo Tape	2

## MYLAPS TRANSPONDERS

MLP10R120	MyLaps RC4 (3-wire) Transponder	1
MLP10R147	MyLaps RC4 (3-wire) Pro Transponder, Black	1
MLP40R222	MyLaps Transponder Holder	1

## XP / AE ELECTRONICS

29204	AE XP-R4 2.4GHz 4CH Receiver	1
29257	AE XP130 2.4GHz 3CH Radio System	1
29262	ESS-One+ 2017 Engine Sound System	1
29263	ESS-Dual+ Engine Sound System	1
29264	ESS-Air Engine Sound System	1
29265	XP Police Light Bar, 1:10 Scale	1
29266	XP LED RC Light Kit (12 LED's)	1
29267	XP LED Roof Light Kit (4 LED's)	1
29268	XP LED Roof Light Kit (6 LED's)	1
29272	XP 5 LED Aluminum Light Bar, 88mm	1
29273	XP 7 LED Aluminum Light Bar, 120mm	1
29274	XP 10 LED Aluminum Light Bar, 170mm	1
29275	XP LED Light Bar Hardware	1
29277	XP Head and Tail Light Kit	1
29279	XP LED Rock Light Set, 150mm	1
29290	XP DSV System	1

## REEDY ELECTRONICS

### MOTORS

<b>27424</b>	Reedy Radon2 Crawler 16T 5-Slot 1850kV Brushed Motor	
<b>27430</b>	Reedy Crawler 16T 5-Slot RTR Brushed Motor	

### ESC's (SPEED CONTROLLERS)

<b>29199</b>	Reedy SC400X Brushed Crawler ESC	
--------------	----------------------------------	--

### SERVOS & SERVO ACCESSORIES

<b>27100</b>	RS1206 Digital HV Hi-Speed Competition Servo	
<b>27101</b>	RT1508 Digital HV Hi-Torque Competition Servo	
<b>27102</b>	RS1206 Servo Case Set w/screws	
<b>27103</b>	RS1206 Servo Gear Set	
<b>27104</b>	RT1508 Servo Case Set w/screws	
<b>27105</b>	RT1508 Servo Gear Set	
<b>27110</b>	0712MG Digital RTR Servo	
<b>27111</b>	1514MG Digital RTR Servo	
<b>27114</b>	RT2406 Digital HV Brushless Competition Servo	
<b>27115</b>	RT2706A Digital HV Aluminum Brushless Competition Servo	
<b>27116</b>	RC2312 Digital HV Competition Crawler Servo	
<b>27122</b>	Reedy Aluminum Servo Horn (25)	
<b>27123</b>	Reedy Aluminum Clamping Servo Horn (25)	
<b>27129</b>	0712MG Servo Gear Set	
<b>27130</b>	1514MG Servo Gear Set	
<b>27135</b>	RT2406 Gear Set	
<b>27136</b>	RT2706A Gear Set	
<b>27139</b>	RT2406 Case Set	
<b>27140</b>	RC2312 Gear Set	
<b>27141</b>	RC2312 Case Set	
<b>27142</b>	1320MG Digital RTR Servo	

### REEDY ACCESSORIES

<b>647</b>	Silicone Wire 12AWG-Black (1m)	
<b>648</b>	Silicone Wire 14AWG-Black (1m)	
<b>650</b>	Shrink Tubing - 15pcs 4.5mm x 20mm	
<b>790</b>	Silicone Wire 13AWG-Black (1m)	
<b>791</b>	Silicone Wire 13AWG-Black (30m)	
<b>27304</b>	LiPo Battery Weight Set - Shorty	

## REEDY BATTERIES / CHARGERS

### BATTERIES

<b>302</b>	AA Alkaline 1.5V (4)	
<b>682</b>	Wolfpack 3000mAh 7.2V w/T-Plug connector	
<b>751</b>	Wolfpack LiPo 3300mAh 30C 7.4V w/T-Plug (#730)	
<b>752</b>	Wolfpack LiPo 4000mAh 35C 7.4V w/T-Plug (#731)	
<b>753</b>	Wolfpack LiPo 5400mAh 35C 7.4V w/T-Plug (#732)	
<b>754</b>	Wolfpack LiPo 7500mAh 30C 7.4V w/T-Plug (#734)	
<b>755</b>	Wolfpack LiPo 4500mAh 35C 11.1V w/T-Plug (#735)	
<b>758</b>	Wolfpack LiPo 3000mAh 30C 7.4V Shorty w/T-Plug	
<b>759</b>	Wolfpack LiPo 3000mAh 30C 11.1V Shorty w/T-Plug	
<b>27313</b>	LiPo Pro TX/RX 2400mAh 7.4V Flat	
<b>27315</b>	LiFe Pro TX/RX 1600mAh 6.6V Flat	

### CHARGERS

<b>27200</b>	1216-C2 Dual AC/DC Competition Battery Charger	
<b>27200CN</b>	1216-C2 Dual AC/DC Competition Battery Charger - CHN Plug	
<b>27200EU</b>	1216-C2 Dual AC/DC Competition Battery Charger - EURO Plug	
<b>27200UK</b>	1216-C2 Dual AC/DC Competition Battery Charger - UK Plug	
<b>27201</b>	324-S AC LiPo/LiFe Compact Balance Charger	
<b>27201C2</b>	324-S Charger w/3300mAh 7.4V LiPo Battery	
<b>27201C2</b>	324-S Charger w/4500mAh 11.1V LiPo Battery	
<b>27202</b>	123-S AC LiPo Compact Balance Charger	

### CHARGER ACCESSORIES

<b>27220</b>	7-in-1 Universal Charge Lead (4mm)	
<b>27221</b>	T-plug Charge Lead (4mm)	
<b>27222</b>	XH 2-6S Balance Board (4mm)	
<b>27223</b>	RX Charger Lead FUT (4mm)	
<b>27224</b>	US to IEC 320 C5 angle IMAC Power Cord	
<b>27225</b>	US to IEC 320 C5 angle .5M AC Power Cord	
<b>27226</b>	EU to IEC 320 C5 angle IMAC Power Cord	
<b>27227</b>	UK to IEC 320 C5 angle IMAC Power Cord	
<b>27228</b>	AU to IEC 320 C5 angle IMAC Power Cord	
<b>27229</b>	CN to IEC 320 C5 angle IMAC Power Cord	

## APPAREL / PROMOTIONAL

### TEE SHIRTS

<b>SP124*</b>	AE 2017 Worlds Tee, Black (S, M, L, XL-5XL)	I
<b>SP126*</b>	Team Associated Tri T-Shirt, Black (S, M, L, XL-5XL)	I
<b>SP140*</b>	Reedy Heritage Tee, Black (S, M, L, XL-5XL)	I
<b>SP200*</b>	Element RC Logo Tee, Gray (S, M, L, XL-5XL)	I
<b>SP201*</b>	Element RC Rhombus Tee, Black (S, M, L, XL-5XL)	I

### HOODIES/JACKETS

<b>SP142*</b>	Reedy W19 Hoodie - Black (S, M, L, XL-3XL)	I
<b>SP230</b>	Element RC Zip Up, Black (S, M, L, XL-5XL)	I
<b>SP231</b>	Element RC Hoodie, Black (S, M, L, XL-5XL)	I
<b>SP250</b>	Element RC Jacket, Black (S, M, L, XL-2XL)	I

### HATS

<b>SP20</b>	AE Patch Trucker Hat	I
<b>SP430</b>	Reedy Trucker Hat 2018	I
<b>SP260</b>	Element RC Hat, Curved Bill, Black	I
<b>SP261</b>	Element RC Hat, Flat Bill, Black	I
<b>SP262</b>	Element RC Beanie, Black	I

### BANNERS/MATS CARRIERS

<b>SP29</b>	Team Associated Countertop/Setup Mat	I
<b>SP30</b>	Team Associated Pit Mat	I
<b>SP31</b>	Reedy Countertop/Setup Mat	I
<b>SP115</b>	Reedy Circuit Cloth Banner	I
<b>SP280</b>	Element RC Counter Top Mat	I
<b>SP281</b>	Element RC Pit Mat	I
<b>SP282</b>	Element RC Pit Towel	I
<b>SP425</b>	FT Fluid Carrier	I
<b>SP426</b>	Team Associated Countertop / Setup Mat	I
<b>SP427</b>	Reedy Countertop / Setup Mat	I
<b>I10684</b>	Team Associated Track Banner	I
<b>I10685</b>	Team Associated Cloth Banner	I

## TOOLS

<b>I111</b>	FT Turnbuckle Wrench	I
<b>I112</b>	FT 4mm Turnbuckle Wrench	I
<b>I113</b>	12mm Big Bore Shock Tool	I
<b>I114</b>	FT Dual Turnbuckle Wrench	I
<b>I449</b>	Off Road Ride Height Gauge	I
<b>I452</b>	FT TC Ride Height Gauge	I
<b>I498</b>	FT Universal Tire Balancer	I
<b>I499</b>	FT Body Reamer	I
<b>I500</b>	FT 1.5mm Hex Driver	I
<b>I501</b>	FT 2.0mm Hex Driver	I
<b>I502</b>	FT 2.0mm Ball Hex Driver	I
<b>I503</b>	FT 2.5mm Hex Driver	I
<b>I504</b>	FT 2.5mm Ball Hex Driver	I
<b>I505</b>	FT 3.0mm Hex Driver	I
<b>I506</b>	FT 5.0mm Hex Driver	I
<b>I507</b>	FT 5.5mm Nut Driver	I
<b>I508</b>	FT 7.0mm Nut Driver	I
<b>I510</b>	FT 1.5mm Hex Replacement Tip	I
<b>I511</b>	FT 2.0mm Hex Replacement Tip	I
<b>I512</b>	FT 2.0mm Ball Replacement Tip	I
<b>I513</b>	FT 2.5mm Hex Replacement Tip	I
<b>I514</b>	FT 2.5mm Ball Replacement Tip	I
<b>I515</b>	FT 3.0mm Hex Replacement Tip	I
<b>I518</b>	FT HEX Driver Tool Set (3pcs)	I
<b>I519</b>	FT Hex/Nut Driver Tool Set (5pc)	I
<b>I522</b>	FT Digital Scale, 100/0.01g	I
<b>I555</b>	FT Clutch Gauge, 4 Shoe	I
<b>I568</b>	FT 5.5mm Short Nut Driver	I
<b>I569</b>	FT 7mm Nut Driver, T-Handle	I
<b>I570</b>	FT 5.5mm Short Nut Driver	I
<b>I571</b>	FT 1:8 Wheel Nut Wrench, 17mm Hex	I
<b>I579</b>	FT Ball Cup Wrench - (will not work on Enduro rod ends)	I
<b>I595</b>	Chassis Weights, 1/4 oz	I
<b>I650</b>	7 Piece Hex Driver Set	I
<b>I657</b>	FT 1/4" Hex Drive .050" Tip	I
<b>I658</b>	FT 1/4" Hex Drive 1/16" Tip	I
<b>I659</b>	FT 1/4" Hex Drive 5/64" - 2.0mm Tip	I
<b>I660</b>	FT 1/4" Hex Drive 3/32" Tip	I
<b>I661</b>	FT 1/4" Hex Drive 1.5mm Tip	I
<b>I662</b>	FT 1/4" Hex Drive 2.5mm Tip	I
<b>I666</b>	FT 1/4" Hex Drive 5.5mm Nut Driver Tip	I
<b>I667</b>	FT 1/4" Hex Drive 7.0mm Nut Driver Tip	I
<b>I668</b>	FT 1/4" Hex Drive 8.0mm Nut Driver Tip	I
<b>I673</b>	FT 1/4" Hex Drive 2.5mm Ball End Tip	I
<b>I674</b>	FT 1/4" 5 Piece Power Tool Tips Set (5/64"-2.0mm, 1.5mm, 2.5mm, 5/64"- 2.0mm ball, 2.5mm ball)	I
<b>I675</b>	FT Shock Shaft Pliers	I
<b>I679</b>	FT T-Handle Ratchet Driver	I
<b>I719</b>	FT Camber + Track Width Tool	I
<b>I737</b>	FT Body Scissors	I
<b>3718</b>	12 Inch Nylon Wire Ties	12
<b>3720</b>	8 Inch Nylon Wire Ties	12
<b>3987</b>	FT Droop Gauge	I
<b>7709</b>	4 Inch Nylon Wire Ties	12
<b>89240</b>	RC8 FT Turnbuckle Wrench	I

\* Use part number plus the desired size when ordering!

**GATE 01****STEALTH X: BUILD CONFIGURATION: MOTOR MOUNT FACING REAR (STOCK)****OVERDRIVE:**

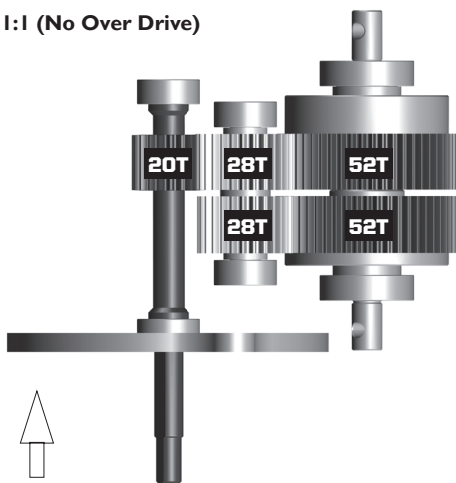
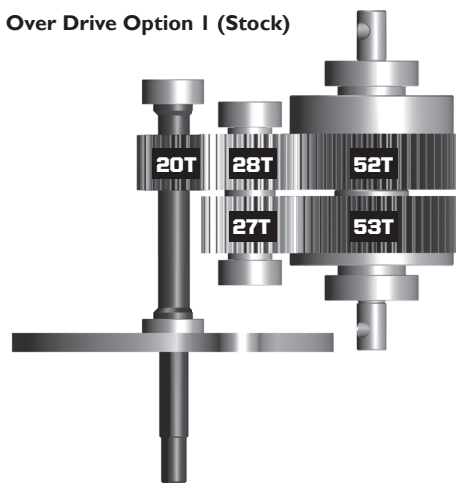
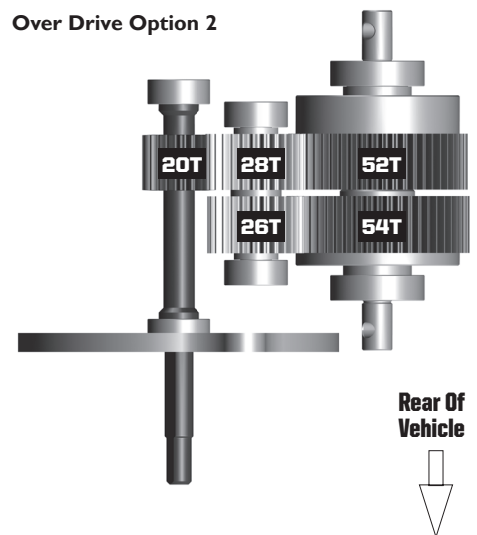
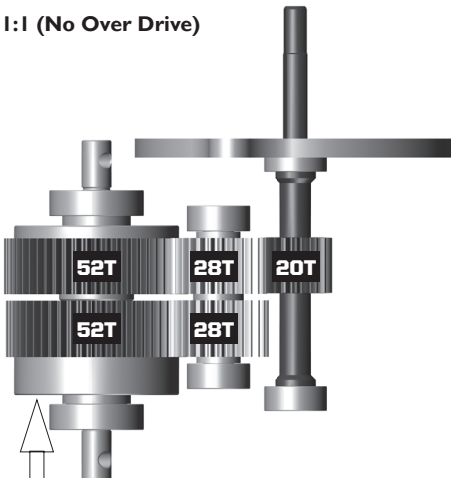
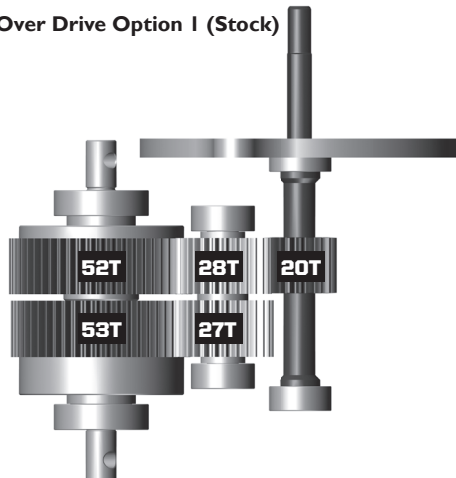
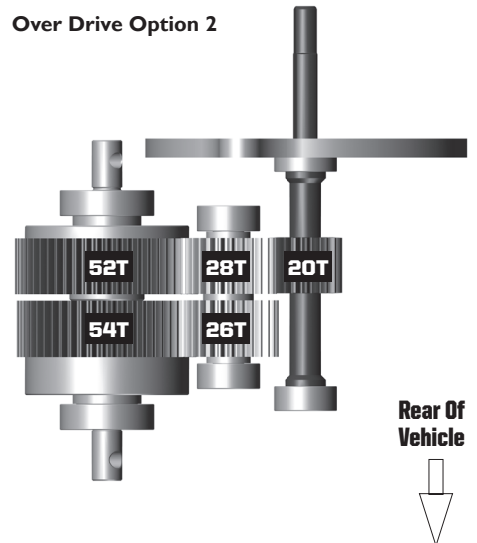
Overdrive is a scenario where the front and rear wheels do not rotate at the same speed. The Stealth X gearbox is designed to allow the front wheels to spin faster than the rear wheels. Overdrive is advantageous when climbing up rock faces because the front tires will want to pull the vehicle up the rock. On descents, the rear tires rotating slower than the front tires will help keep the chassis more stable and keep the rear tires planted on the ground.

**Stealth X:**

The Stealth X gearbox allows the driver to change the front to rear drive ratios with 3 separate ratio adjustments to the rear drive shaft. The driver has the option to flip the gearbox direction (motor mount facing the front) the optional inverse top shaft (#42024) is required.

**Please Note:**

The 20T top shaft, 28T idler gear, and 52T drive gear will always be meshed together in all 6 gearbox configurations.

**GATE 02****STEALTH X: BUILD CONFIGURATION: MOTOR MOUNT FACING REAR (STOCK)****1:1 (No Over Drive)****Over Drive Option 1 (Stock)****Over Drive Option 2****GATE 03****STEALTH X: BUILD CONFIGURATION: MOTOR MOUNT FACING FRONT (OPTIONAL - REQUIRES #42024 - TOP SHAFT )****1:1 (No Over Drive)****Over Drive Option 1 (Stock)****Over Drive Option 2**



## TRAIL TIPS AND CHECKLIST

### PREPARING TO HIT THE TRAIL:

When preparing to hit the trail, it's a good idea to have a checklist to make sure you have everything and don't end up having to head back early. We've compiled a checklist of the things we think you'll need on the trail. We've also left some space for you to add your specific items to the list. Keep in mind these are suggestions and every person will require different items. Weather and altitude will also dictate how much food and water a person will require. Do a little research first before heading out for a full day on the trail.

- Truck with Charged Battery
- 1-2 spare Charged Batteries for your rig
- Radio with Charged Batteries
- Spare radio batteries
- Check all nuts and screws and tighten them. Including Wheel nuts!
- Spare parts (Nuts, Screws, Body Clips, and anything that may wear or break)
- Backpack
- Water (2 liters per person minimum)
- Snacks (protein bars, trailmix, etc.)
- Sturdy shoes (Hiking boots preferably or something with grip and ankle support)
- Element Hat or Beanie
- Element Hoodie or Jacket
- Sunscreen
- Bug Spray
- Lip Balm
- Nut Drivers (Factory Team Nut Drivers #1507, 1508)
- Allen wrenches (Factory Team Hex Driver set #1655)
- Cell phone and charger
- Headlight or flashlight with spare batteries
- Compact action camera
- Camera
- Tripod
- \_\_\_\_\_
- \_\_\_\_\_
- \_\_\_\_\_
- \_\_\_\_\_
- \_\_\_\_\_
- \_\_\_\_\_

### TREAD LIGHTLY:

Remember, when driving your rig out on the trails, it's important to tread lightly. We all know that the best place to enjoy our hobby is out in nature, and that means we need to preserve it for future hobbyist so we all have a place to enjoy. Here are a few tips to remember when out on the trail.

#### • Pack In/Pack Out:

Don't leave anything behind. Whether it's trash, parts, or food. If you brought it, take it with you.

#### • National and Public Parks:

If visiting a national park, leave the RC cars at home. It is illegal to drive any radio control vehicle within national park boundaries. Public parks are slightly different, some may allow radio control cars and others may not. Check with your local officials before driving in a public park.

#### • Be Considerate:

Where ever you drive your radio control car, always be considerate of others. Hikers, bicyclists, and animals should always be given the right of way.

#### • Keep It Quiet:

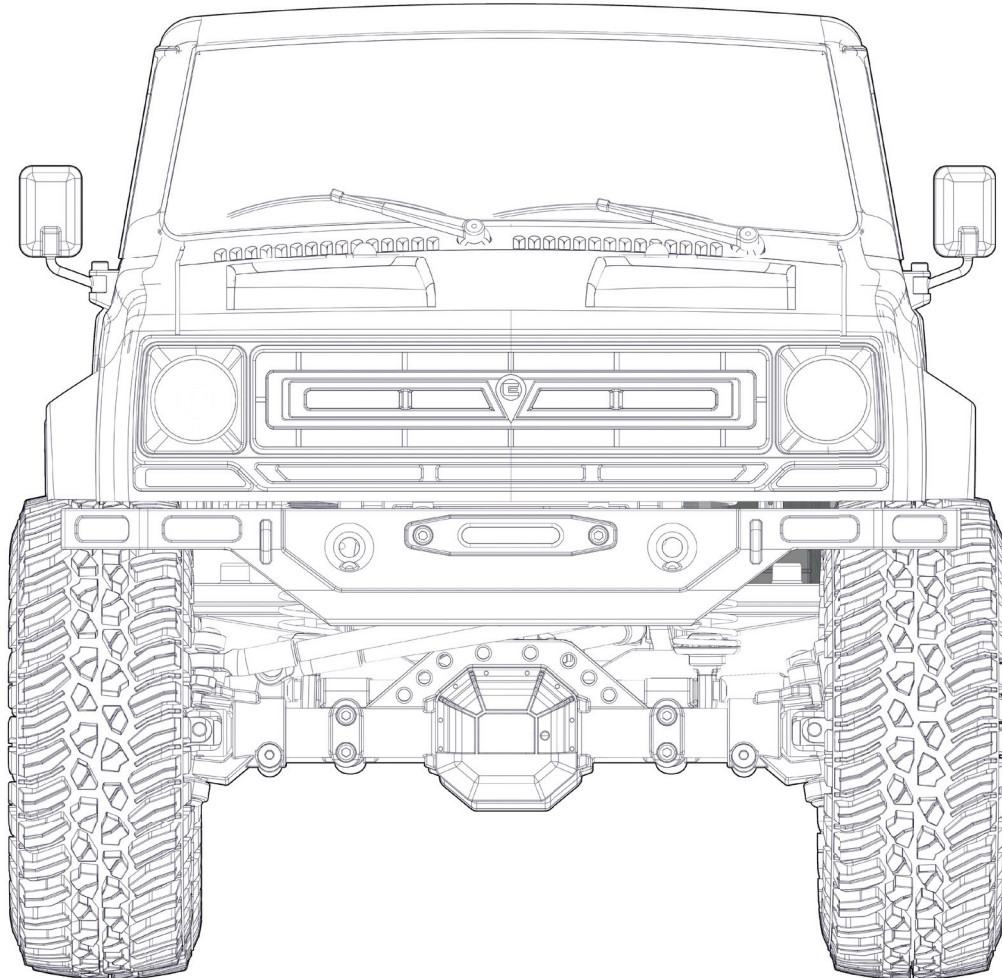
If you're sharing an area with other people, try to keep the noise to a minimum. If you come across animals or anglers, please be considerate and give them space.

#### • Give A Hoot, Don't Pollute:

When enjoying the outdoors take your trash with you. Not only is it bad for the environment, it's unsightly. If you see trash, pick it up, even if it isn't yours. If we all do our part we can work together to keep our planet beautiful for future generations.

#### • Only You Can Prevent Wild Fires:

Some of us like to mix camping with RC cars. This is great! Just remember to follow all safety precautions and put out any camp fires before calling it a night. Also, be sure to unplug and **store all LiPo batteries in LiPo sacks and a fire resistant storage device.**



## **ASSOCIATED ELECTRICS**

**ASSOCIATED ELECTRICS, INC.  
26021 COMMERCENTRE DR. LAKE FOREST, CA 92630 USA**

**CALL: (949) 544-7500 - FAX: (949) 544-7501  
CHECK OUT THE FOLLOWING WEB SITES FOR ALL OF OUR KITS,  
CURRENT PRODUCTS, NEW RELEASES, SETUP HELP, TIPS, AND RACING INFO!  
[WWW.ASSOCIATEDELECTRICS.COM](http://WWW.ASSOCIATEDELECTRICS.COM)  
#111989**



ElementRC



@Element\_RC